

adhoc^{FIBER} proj

Light source for fiber optics

- Built-in dimmer 0-100%
- Short-circuit proof
- Protected against overheating T=70C
- Adjustable lamp focus
- Built-in mounting brackets

- Silent processor controlled fan cooling
Fan speed is related to the illuminators temperature.
Always place the product in a well-ventilated area.



- 30,5mm common end connector
- Height 78mm, Width 112mm, Length 165mm
- Enclosure IP20

Bulb:

Glass fiber: Philips Focusline 6834 12V 100W EFP, 1500h
(alt. Osram 64637 12V 100W EFP/LL, 1500h)

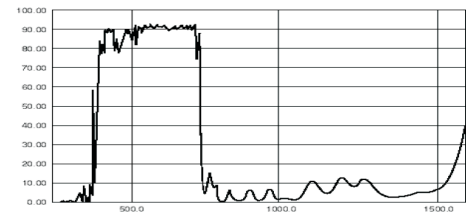
Plastic fiber: GE EYJ/CG 12V 71W 4000h

Power:

0-230V 50/60Hz AC.
Dimmable with Transistor and Triac dimmer

CE Tested according to directives LVD 73-23-EEC and EMC 89-336-EEC. The product confirms to those standards. Ver 2.0 2007-02-22 ENG

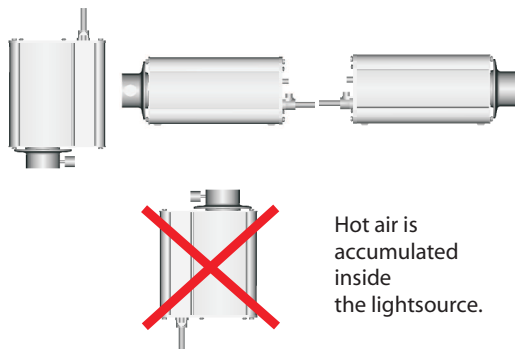
Transparence in % for wavelengths (nm)



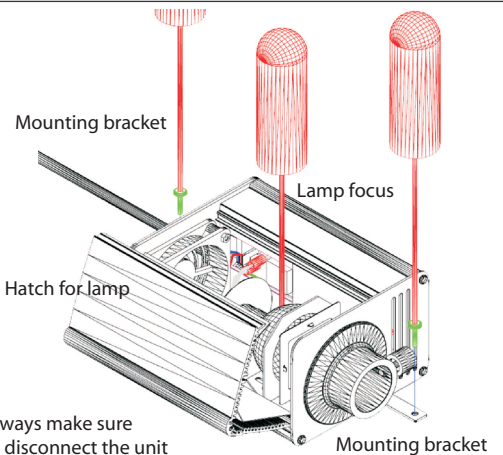
UV Transmission: < 1% average 200nm to 380nm
Visible Transmission: > 85% average 420nm to 680nm
IR Transmission: <5% average 730 to 1500nm

Instructions:

Recommended placement:



Hot air is accumulated inside the lightsource.



Always make sure to disconnect the unit from mains before opening this hatch and/or replacing bulb.

Remarks:

Fan is turned off when no cooling is needed. At startup, it takes a while before fan starts to cool the unit.

If **lamp failure or overheating** occurs, the unit makes 3 attempts to restart before shutting down. Unplug the unit, replace lamp, and always make sure that the unit is placed in a well-ventilated area before re-connecting it to mains. The power cycle is mandatory.

