

dinkey 12V DC

Medium sized spotlight with built-in dimmer

Dinkey really shines in areas with lower ceiling heights

Quick and flexible installation on Mini Trac 12V-track system.

Optics (lenses) can be interchanged without tools.



Black



Grey



White

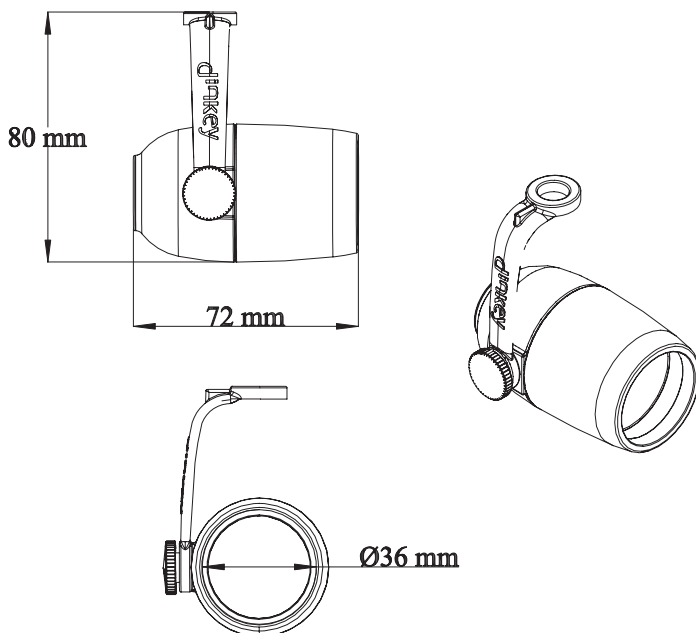
Description

Dinkey is widely used inside larger display cases in museums.

It's also the perfect fixture for smaller art galleries, in cafes, corridors or home environment.

TECHNICAL SPECIFICATION

Material	Lamp housing of die-cast magnesium Yoke and details of steel Adapter of PC Lens of PC
Finish	Grey (RAL 9006) Black (RAL 9005) White (RAL 9016)
System	12V DC Mini Trac (3 phase circuit track)
Dimming control	Built-in dimmer Not compatible with mains dimmer
Protection class	IP20
Operating voltage	12V DC
Power consumption	4W
CRI	90
Color temperature	2700K/3000K/4000K
Beam angle	8/12/22/30/9x48°
Swivels	>365°
Tilts	>90°
Optional accessories	Filters and honeycombs



DINKEY 12V DC / MINI TRAC

Built in local dimmer (0-100%)

2700K	<input type="checkbox"/>	DIN27-MT-1	Dinkey 12V DC/4W Mini Trac 2700K, Grey	250lm, CRI 90, lens N, dimmer
	<input type="checkbox"/>	DIN27-MT-2	Dinkey 12V DC/4W Mini Trac 2700K, Black	250lm, CRI 90, lens N, dimmer
	<input type="checkbox"/>	DIN27-MT-3	Dinkey 12V DC/4W Mini Trac 2700K, White	250lm, CRI 90, lens N, dimmer
3000K	<input type="checkbox"/>	DIN30-MT-1	Dinkey 12V DC/4W Mini Trac 3000K, Grey	250lm, CRI 90, lens N, dimmer
	<input type="checkbox"/>	DIN30-MT-2	Dinkey 12V DC/4W Mini Trac 3000K, Black	250lm, CRI 90, lens N, dimmer
	<input type="checkbox"/>	DIN30-MT-3	Dinkey 12V DC/4W Mini Trac 3000K, White	250lm, CRI 90, lens N, dimmer
4000K	<input type="checkbox"/>	DIN40-MT-1	Dinkey 12V DC/4W Mini Trac 4000K, Grey	250lm, CRI 90, lens N, dimmer
	<input type="checkbox"/>	DIN40-MT-2	Dinkey 12V DC/4W Mini Trac 4000K, Black	250lm, CRI 90, lens N, dimmer
	<input type="checkbox"/>	DIN40-MT-3	Dinkey 12V DC/4W Mini Trac 4000K, White	250lm, CRI 90, lens N, dimmer

DINKEY 12V DC / PICO TRAC

Built in local dimmer (0-100%)

2700K	<input type="checkbox"/>	DIN27-PT-1	Dinkey 12V DC/4W Pico Trac 2700K, Grey	250lm, CRI 90, lens N, dimmer
	<input type="checkbox"/>	DIN27-PT-2	Dinkey 12V DC/4W Pico Trac 2700K, Black	250lm, CRI 90, lens N, dimmer
	<input type="checkbox"/>	DIN27-PT-3	Dinkey 12V DC/4W Pico Trac 2700K, White	250lm, CRI 90, lens N, dimmer
3000K	<input type="checkbox"/>	DIN30-PT-1	Dinkey 12V DC/4W Pico Trac 3000K, Grey	250lm, CRI 90, lens N, dimmer
	<input type="checkbox"/>	DIN30-PT-2	Dinkey 12V DC/4W Pico Trac 3000K, Black	250lm, CRI 90, lens N, dimmer
	<input type="checkbox"/>	DIN30-PT-3	Dinkey 12V DC/4W Pico Trac 3000K, White	250lm, CRI 90, lens N, dimmer
4000K	<input type="checkbox"/>	DIN40-PT-1	Dinkey 12V DC/4W Pico Trac 4000K, Grey	250lm, CRI 90, lens N, dimmer
	<input type="checkbox"/>	DIN40-PT-2	Dinkey 12V DC/4W Pico Trac 4000K, Black	250lm, CRI 90, lens N, dimmer
	<input type="checkbox"/>	DIN40-PT-3	Dinkey 12V DC/4W Pico Trac 4000K, White	250lm, CRI 90, lens N, dimmer

DINKEY 12V DC / SOLO

Built in local dimmer (0-100%)

2700K	<input type="checkbox"/>	DIN27-LVS-1	Dinkey 12V DC/4W Solo 2700K, Grey	250lm, CRI 90, lens N, dimmer, 1m cable
	<input type="checkbox"/>	DIN27-LVS-2	Dinkey 12V DC/4W Solo 2700K, Black	250lm, CRI 90, lens N, dimmer, 1m cable
	<input type="checkbox"/>	DIN27-LVS-3	Dinkey 12V DC/4W Solo 2700K, White	250lm, CRI 90, lens N, dimmer, 1m cable
3000K	<input type="checkbox"/>	DIN30-LVS-1	Dinkey 12V DC/4W Solo 3000K, Grey	250lm, CRI 90, lens N, dimmer, 1m cable
	<input type="checkbox"/>	DIN30-LVS-2	Dinkey 12V DC/4W Solo 3000K, Black	250lm, CRI 90, lens N, dimmer, 1m cable
	<input type="checkbox"/>	DIN30-LVS-3	Dinkey 12V DC/4W Solo 3000K, White	250lm, CRI 90, lens N, dimmer, 1m cable
4000K	<input type="checkbox"/>	DIN40-LVS-1	Dinkey 12V DC/4W Solo 4000K, Grey	250lm, CRI 90, lens N, dimmer, 1m cable
	<input type="checkbox"/>	DIN40-LVS-2	Dinkey 12V DC/4W Solo 4000K, Black	250lm, CRI 90, lens N, dimmer, 1m cable
	<input type="checkbox"/>	DIN40-LVS-3	Dinkey 12V DC/4W Solo 4000K, White	250lm, CRI 90, lens N, dimmer, 1m cable

NEW!

DINKEY 230V

Multi-adapter for 3 phase circuit track with built-in local dimmer (0-100%)

2700K	<input type="checkbox"/>	DIN27C-HV-1	Dinkey 230V/6W Multi 2700K, Grey	280lm, CRI 90, lens N, 3-phase, dimmer
	<input type="checkbox"/>	DIN27C-HV-2	Dinkey 230V/6W Multi 2700K, Black	280lm, CRI 90, lens N, 3-phase, dimmer
	<input type="checkbox"/>	DIN27C-HV-3	Dinkey 230V/6W Multi 2700K, White	280lm, CRI 90, lens N, 3-phase, dimmer
3000K	<input type="checkbox"/>	DIN30C-HV-1	Dinkey 230V/6W Multi 3000K, Grey	300lm, CRI 90, lens N, 3-phase, dimmer
	<input type="checkbox"/>	DIN30C-HV-2	Dinkey 230V/6W Multi 3000K, Black	300lm, CRI 90, lens N, 3-phase, dimmer
	<input type="checkbox"/>	DIN30C-HV-3	Dinkey 230V/6W Multi 3000K, White	300lm, CRI 90, lens N, 3-phase, dimmer