

# gadget L

## A larger luminaire with nifty features

With narrow beam angles and high intensity, Gadget can handle lighting tasks from long distance.

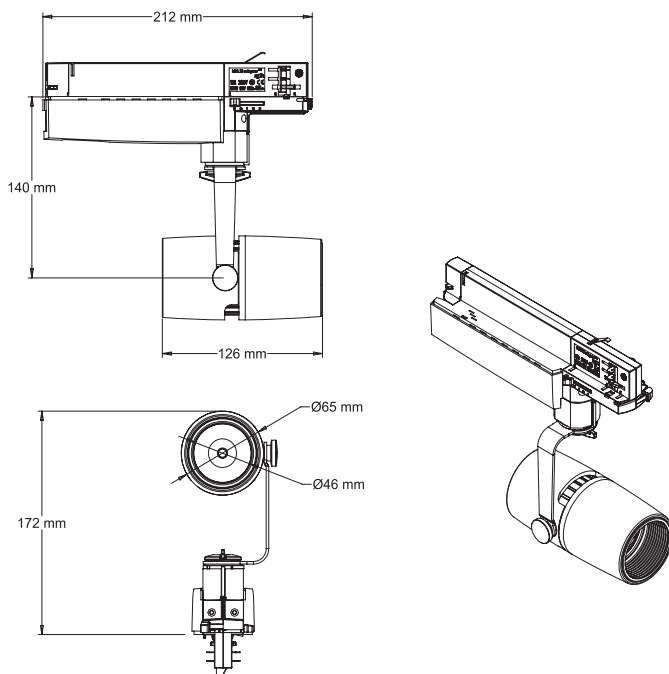
Great for churches and other spaces with really high ceiling heights.

Comes in three different beam angles.



### Description

Gadget L is the larger version of Gadget, available with various drivers for different lighting applications.



## TECHNICAL SPECIFICATION

<b>Material</b>	Lamp housing of machined aluminum Yoke and details of steel Adapter housing of PBT/PC 10 GF Lens of PMMA
<b>Finish</b>	Grey (RAL 7040) Black (RAL 9005) White (RAL 9016) Custom coating is available upon request
<b>System</b>	3-phase circuit track (eg. Global Trac, Erco, Zumtobel, iGuzzini, Eutrac and Hoffmeister)
<b>Dimming control</b>	Integrated manual dimmer 0-100% DMX via Lumenradio DMX DALI-version (only for Global Trac PULSE track system or equivalent)  Not compatible with mains dimmer
<b>Protection class</b>	IP20
<b>Operating voltage</b>	230V~ 50/60Hz
<b>Power consumption</b>	27W
<b>CRI</b>	95
<b>Color temperature</b>	2700K/3000K/4000K
<b>Beam angle</b>	12/20/30°
<b>Swivels</b>	>365°
<b>Tilts</b>	>90°
<b>Features</b>	Phase selector, lockable pan/tilt
<b>Optional accessories</b>	Filters and honeycomb

## GADGET L ANALOG

Analog version with built in local dimmer (0-100%)

2700K	<input type="checkbox"/>	GADL27-AH-1	Gadget L 230V/27W 2700K, Grey	2160lm, CRI 95, lens N, 3-phase, dimmer
	<input checked="" type="checkbox"/>	GADL27-AH-2	Gadget L 230V/27W 2700K, Black	2160lm, CRI 95, lens N, 3-phase, dimmer
	<input type="checkbox"/>	GADL27-AH-3	Gadget L 230V/27W 2700K, White	2160lm, CRI 95, lens N, 3-phase, dimmer
3000K	<input type="checkbox"/>	GADL30-AH-1	Gadget L 230V/27W 3000K, Grey	2300lm, CRI 95, lens N, 3-phase, dimmer
	<input checked="" type="checkbox"/>	GADL30-AH-2	Gadget L 230V/27W 3000K, Black	2300lm, CRI 95, lens N, 3-phase, dimmer
	<input type="checkbox"/>	GADL30-AH-3	Gadget L 230V/27W 3000K, White	2300lm, CRI 95, lens N, 3-phase, dimmer
4000K	<input type="checkbox"/>	GADL40-AH-1	Gadget L 230V/27W 4000K, Grey	2520lm, CRI 90, lens N, 3-phase, dimmer
	<input checked="" type="checkbox"/>	GADL40-AH-2	Gadget L 230V/27W 4000K, Black	2520lm, CRI 90, lens N, 3-phase, dimmer
	<input type="checkbox"/>	GADL40-AH-3	Gadget L 230V/27W 4000K, White	2520lm, CRI 90, lens N, 3-phase, dimmer

## GADGET L DMX

DMX (Dimming 0-100%) wireless via Lumenradio CRMX.



2700K	<input type="checkbox"/>	GADL27-AHX-1	Gadget L 230V/27W DMX 2700K, Grey	2160lm, CRI 95, lens N, 3-phase, wireless DMX
	<input checked="" type="checkbox"/>	GADL27-AHX-2	Gadget L 230V/27W DMX 2700K, Black	2160lm, CRI 95, lens N, 3-phase, wireless DMX
	<input type="checkbox"/>	GADL27-AHX-3	Gadget L 230V/27W DMX 2700K, White	2160lm, CRI 95, lens N, 3-phase, wireless DMX
3000K	<input type="checkbox"/>	GADL30-AHX-1	Gadget L 230V/27W DMX 3000K, Grey	2300lm, CRI 95, lens N, 3-phase, wireless DMX
	<input checked="" type="checkbox"/>	GADL30-AHX-2	Gadget L 230V/27W DMX 3000K, Black	2300lm, CRI 95, lens N, 3-phase, wireless DMX
	<input type="checkbox"/>	GADL30-AHX-3	Gadget L 230V/27W DMX 3000K, White	2300lm, CRI 95, lens N, 3-phase, wireless DMX
4000K	<input type="checkbox"/>	GADL40-AHX-1	Gadget L 230V/27W DMX 4000K, Grey	2520lm, CRI 90, lens N, 3-phase, wireless DMX
	<input checked="" type="checkbox"/>	GADL40-AHX-2	Gadget L 230V/27W DMX 4000K, Black	2520lm, CRI 90, lens N, 3-phase, wireless DMX
	<input type="checkbox"/>	GADL40-AHX-3	Gadget L 230V/27W DMX 4000K, White	2520lm, CRI 90, lens N, 3-phase, wireless DMX

## GADGET L DALI

DALI (Dimming 1-100%). This luminaire is equipped with a DALI driver for PULSE track.



2700K	<input type="checkbox"/>	GADL27-AHD-1	Gadget L 230V/27W DALI 2700K, Grey	2160lm, CRI 95, lens N, 3-phase, PULSE DALI
	<input checked="" type="checkbox"/>	GADL27-AHD-2	Gadget L 230V/27W DALI 2700K, Black	2160lm, CRI 95, lens N, 3-phase, PULSE DALI
	<input type="checkbox"/>	GADL27-AHD-3	Gadget L 230V/27W DALI 2700K, White	2160lm, CRI 95, lens N, 3-phase, PULSE DALI
3000K	<input type="checkbox"/>	GADL30-AHD-1	Gadget L 230V/27W DALI 3000K, Grey	2300lm, CRI 95, lens N, 3-phase, PULSE DALI
	<input checked="" type="checkbox"/>	GADL30-AHD-2	Gadget L 230V/27W DALI 3000K, Black	2300lm, CRI 95, lens N, 3-phase, PULSE DALI
	<input type="checkbox"/>	GADL30-AHD-3	Gadget L 230V/27W DALI 3000K, White	2300lm, CRI 95, lens N, 3-phase, PULSE DALI
4000K	<input type="checkbox"/>	GADL40-AHD-1	Gadget L 230V/27W DALI 4000K, Grey	2520lm, CRI 90, lens N, 3-phase, PULSE DALI
	<input checked="" type="checkbox"/>	GADL40-AHD-2	Gadget L 230V/27W DALI 4000K, Black	2520lm, CRI 90, lens N, 3-phase, PULSE DALI
	<input type="checkbox"/>	GADL40-AHD-3	Gadget L 230V/27W DALI 4000K, White	2520lm, CRI 90, lens N, 3-phase, PULSE DALI

## GADGET L CC

Solo version, without driver.

2700K	<input type="checkbox"/>	GADL27-CCS-1	Gadget L CC/700mA Solo 2700K, Grey	2160lm, Vf=36V, CRI 95, lens N, 1m cable
	<input checked="" type="checkbox"/>	GADL27-CCS-2	Gadget L CC/700mA Solo 2700K, Black	2160lm, Vf=36V, CRI 95, lens N, 1m cable
	<input type="checkbox"/>	GADL27-CCS-3	Gadget L CC/700mA Solo 2700K, White	2160lm, Vf=36V, CRI 95, lens N, 1m cable
3000K	<input type="checkbox"/>	GADL30-CCS-1	Gadget L CC/700mA Solo 3000K, Grey	2300lm, Vf=36V, CRI 95, lens N, 1m cable
	<input checked="" type="checkbox"/>	GADL30-CCS-2	Gadget L CC/700mA Solo 3000K, Black	2300lm, Vf=36V, CRI 95, lens N, 1m cable
	<input type="checkbox"/>	GADL30-CCS-3	Gadget L CC/700mA Solo 3000K, White	2300lm, Vf=36V, CRI 95, lens N, 1m cable
4000K	<input type="checkbox"/>	GADL40-CCS-1	Gadget L CC/700mA Solo 4000K, Grey	2520lm, Vf=36V, CRI 90, lens N, 1m cable
	<input checked="" type="checkbox"/>	GADL40-CCS-2	Gadget L CC/700mA Solo 4000K, Black	2520lm, Vf=36V, CRI 90, lens N, 1m cable
	<input type="checkbox"/>	GADL40-CCS-3	Gadget L CC/700mA Solo 4000K, White	2520lm, Vf=36V, CRI 90, lens N, 1m cable