

neo Fresnel 2

A powerful zoom lens spotlight.

Adjustable beam angle 16–64°.

Barndoors as default.

Installation on 3-phase track.



EXCLUSIVELY DEVELOPED

Neo is exclusively developed for use in museum.

Every fixture can individually handle all changable variable of the light.

Absolute direction, different shapes and sharpness, alternative colors and variable intensity. Everything is integrated!

ABOUT NEO

Neo Fresnel is available in 3 main versions:

- Analog. On-board-dimmer and dimmable with external dimmer
- DMX. Wired through Global Trac Control and Global Trac Pulse
- CRMX. Wireless DMX512 Lumen Radio

All versions of Neo has its own integrated dimmer potentiometer which is an indispensable feature during rigging and focusing!

FEATURES

LIGHTING

- Flicker free soft dimming all the way from 0 %
- High Power LED-module 1900 lumen (3000K)
- Color stability CRI 95+ 3000K Mac Adam <2 (3000K)

APPEARANCE

- Discreet and functional form
- Real small size, fits anywhere
- Passive cooling
- Low weight

EASE OF USE

- Integrated filter holder enables color temperature shifting and diffusion
- Mounting in every direction, both horizontal and vertical
- Pan and tilt movements are fully lockable without tools

FUTURE PROOF

- Possibility to change LED-module and upgrade driver firmware
- Can be completely disassembled into components for remanufacturing or recycling

COUNTRY OF ORIGIN

Neo is designed, developed and made in Sweden.



One-hand zoom operation.



neo Fresnel 2

RANGE

NEO FRESNEL 2 ANALOG

Analog version with local dimming control for regular 3 phase track.



| | | |
|--------------------------|------------|---------------------------------|
| <input type="checkbox"/> | NEO27b-F-1 | 16–64°, 2700K, CRI 90+, 27W LED |
| <input type="checkbox"/> | NEO27b-F-2 | 16–64°, 2700K, CRI 90+, 27W LED |
| <input type="checkbox"/> | NEO27b-F-3 | 16–64°, 2700K, CRI 90+, 27W LED |

| | | |
|--------------------------|------------|---------------------------------|
| <input type="checkbox"/> | NEO30b-F-1 | 16–64°, 3000K, CRI 95+, 27W LED |
| <input type="checkbox"/> | NEO30b-F-2 | 16–64°, 3000K, CRI 95+, 27W LED |
| <input type="checkbox"/> | NEO30b-F-3 | 16–64°, 3000K, CRI 95+, 27W LED |

| | | |
|--------------------------|------------|---------------------------------|
| <input type="checkbox"/> | NEO40b-F-1 | 16–64°, 4000K, CRI 90+, 27W LED |
| <input type="checkbox"/> | NEO40b-F-2 | 16–64°, 4000K, CRI 90+, 27W LED |
| <input type="checkbox"/> | NEO40b-F-3 | 16–64°, 4000K, CRI 90+, 27W LED |

NEO FRESNEL 2 CRMX

DMX control version with Lumen Radio CRMX for regular 3 phase track.



| | | |
|--------------------------|--------------|---------------------------------|
| <input type="checkbox"/> | NEO27bXC-F-1 | 16–64°, 2700K, CRI 90+, 27W LED |
| <input type="checkbox"/> | NEO27bXC-F-2 | 16–64°, 2700K, CRI 90+, 27W LED |
| <input type="checkbox"/> | NEO27bXC-F-3 | 16–64°, 2700K, CRI 90+, 27W LED |

| | | |
|--------------------------|--------------|---------------------------------|
| <input type="checkbox"/> | NEO30bXC-F-1 | 16–64°, 3000K, CRI 95+, 27W LED |
| <input type="checkbox"/> | NEO30bXC-F-2 | 16–64°, 3000K, CRI 95+, 27W LED |
| <input type="checkbox"/> | NEO30bXC-F-3 | 16–64°, 3000K, CRI 95+, 27W LED |

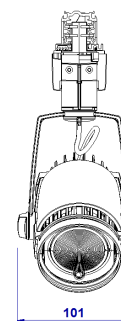
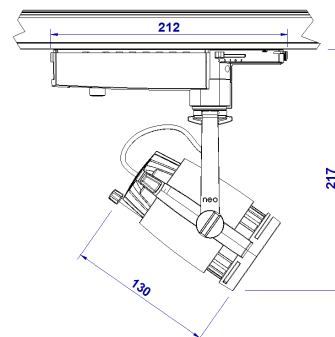
| | | |
|--------------------------|--------------|---------------------------------|
| <input type="checkbox"/> | NEO40bXC-F-1 | 16–64°, 4000K, CRI 90+, 27W LED |
| <input type="checkbox"/> | NEO40bXC-F-2 | 16–64°, 4000K, CRI 90+, 27W LED |
| <input type="checkbox"/> | NEO40bXC-F-3 | 16–64°, 4000K, CRI 90+, 27W LED |



neo Fresnel 2

TECHNICAL SPECIFICATION

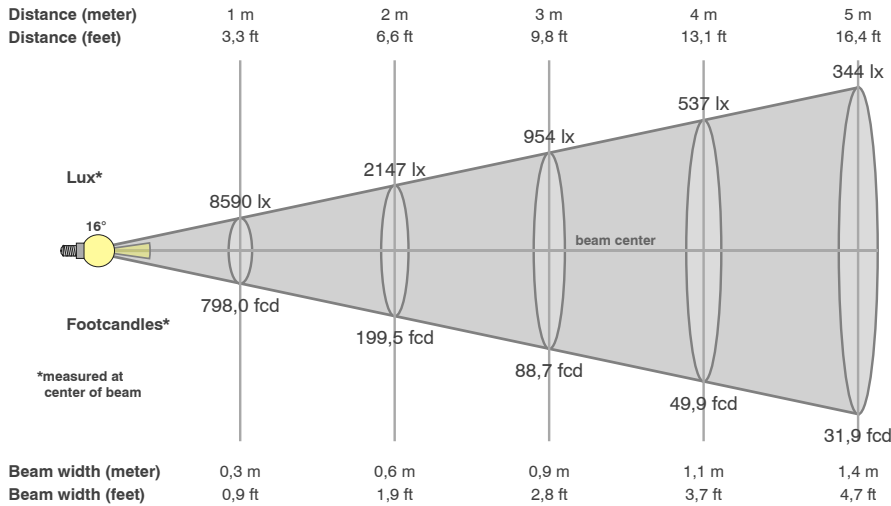
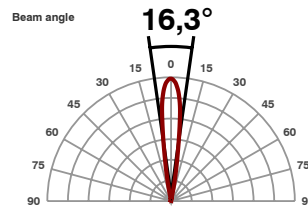
| | |
|--------------------|--|
| Material: | Lamp housing of die-cast magnesium. Adapter housing of dyed PBT and polycarbonate. Handles and yoke lock of thermoplastics (Hytrel). Fresnel lens of polycarbonate. |
| Finish: | Powder coated Grey (RAL 9006) Black (RAL 9005) White (RAL 9016) |
| System: | 3-phase circuit track (eg. Global Trac, Erco, Zumtobel, iGuzzini, Eutrac and Hoffmeister). DMX with wireless LumenRadio CRMX. |
| Installation: | Developed for track on wall or ceiling. |
| Protection class: | IP20 |
| Operating voltage: | 100–240V~ 50/60Hz |
| Light source: | High power LED 1900 lm (3000K) |
| Total power: | 27 W |
| Power factor: | 0,93 |
| Beam angle: | Continuous adjustable 16–64° |
| Luminous efficacy: | 30 lm / W (at 16° beam angle) 50 lm / W (at 64° beam angle) |
| CRI: | 95+ (3000K only) |
| Color temperature: | 2700K / 3000 K / 4000K |
| Color deviation: | MacAdam 2-step ellipse (SDCM <2) (3000K) |
| Rated life: | L80 > 36 000h according to TM21 /LM80 (Ta 25°) Estimated lumen maintenance at 50 000h is equal to 81,54% |
| LED failure rate: | 0,1% 50 000h |
| Driver: | Analog version for 3-phase track (NEO30b) Wireless DMX for 3-phase track (NEO30bXC) Driver is enclosed in the adapter. Local dimming control on all versions. |
| Weight: | 0.71 kg |
| Measurements: | 217x212x101 mm (LxWxD) |
| Swivels: | >365° |
| Tilts: | >90° |
| Dimming: | 0–100%. |
| Features: | Filter holder, phase selector, lockable pan/tilt |
| Accessories: | Filters |



neo Fresnel 2

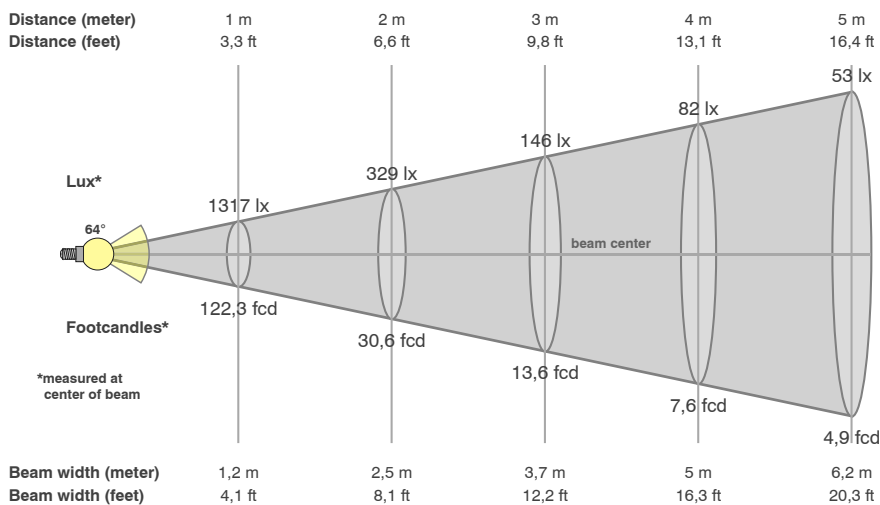
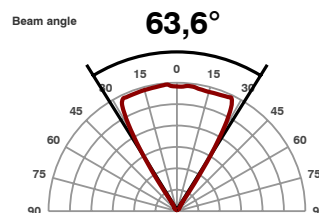
NARROWEST BEAM ANGLE

Light efficiency: 30 lm / W
 Light output ratio: 42,6%
 Output: 816 lm
 Peak: 8592 cd
 Power: 27 W
 PF: 0,93



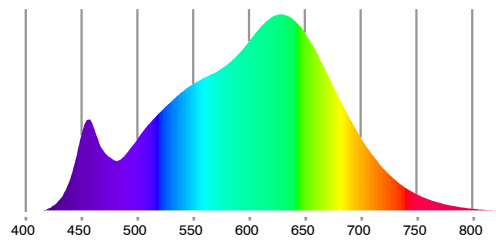
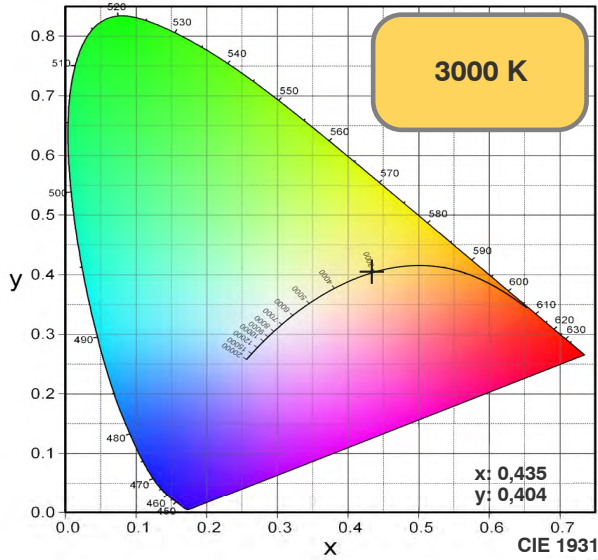
WIDEST BEAM ANGLE

Light efficiency: 50 lm / W
 Light output ratio: 68,6%
 Output: 1351 lm
 Peak: 1340 cd
 Power: 27 W
 PF: 0,93

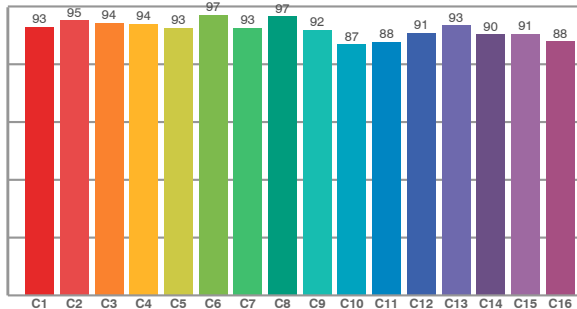


neo Fresnel 2

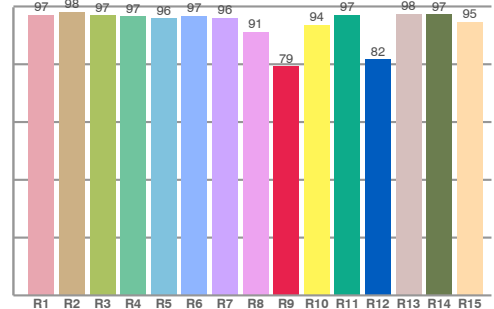
COLORMETRICS



TM30: 92,3



CRI: 96,1 (R1-R8)



CRI R values, only R1-R8 are used to calculate final CRI value

| R1 | R2 | R3 | R4 | R5 | R6 | R7 | R8 | R9 | R10 | R11 | R12 | R13 | R14 | R15 |
|-------|-------|-------|-------|-------|-------|-------|-------|-------|-------|-------|-------|-------|-------|-------|
| 97,06 | 98,12 | 96,90 | 96,59 | 95,95 | 96,81 | 96,06 | 91,13 | 79,23 | 93,54 | 97,00 | 81,65 | 97,52 | 97,31 | 94,72 |

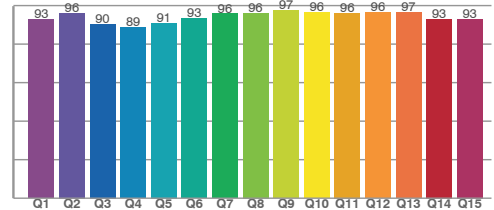
TM30 C values, 16 binned values out of total of 99 C values

| C1 | C2 | C3 | C4 | C5 | C6 | C7 | C8 | C9 | C10 | C11 | C12 | C13 | C14 | C15 | C16 |
|-------|-------|-------|-------|-------|-------|-------|-------|-------|-------|-------|-------|-------|-------|-------|-------|
| 92,99 | 95,23 | 94,37 | 93,98 | 92,66 | 97,14 | 92,64 | 96,61 | 91,90 | 86,94 | 87,82 | 90,90 | 93,49 | 90,36 | 90,59 | 87,84 |

CQS Q values

| Q1 | Q2 | Q3 | Q4 | Q5 | Q6 | Q7 | Q8 | Q9 | Q10 | Q11 | Q12 | Q13 | Q14 | Q15 |
|-------|-------|-------|-------|-------|-------|-------|-------|-------|-------|-------|-------|-------|-------|-------|
| 92,79 | 98,15 | 90,43 | 88,64 | 90,98 | 93,44 | 95,79 | 96,21 | 97,48 | 96,45 | 96,10 | 96,43 | 96,50 | 93,09 | 93,08 |

CQS: 93,5



Color parameters

| CCT | CRI | CRI R9 | TM30 Rf | TM30 Rg | CQS | x | y | u | v | Duv |
|--------|------|--------|---------|---------|------|-----|-----|-----|-----|--------|
| 3041 K | 96,1 | 79,2 | 92,3 | 99,1 | 93,5 | 0,4 | 0,4 | 0,2 | 0,3 | 0,0004 |

