

gekko LINEAR



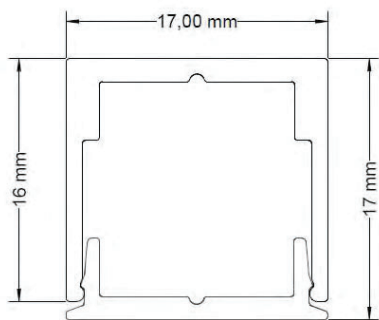
A linear lighting solution

Multiple LED modules are connected inside a LED profile to make different luminaires with various beam angles.

Gekko is developed using the latest chip technology and integrated lenses.

Description

The IP20 version is 17x17 mm.



TECHNICAL SPECIFICATION

Material	Extruded aluminum Lens of PC
Finish	Grey Black White
System	Constant current
Dimming control	Via external dimmer
Protection class	IP20 or IP66
Power consumption	~2W per module
CRI	90
Color temperature	2200K/2700K/3000K/4000K
Beam angle	Narrow Medium Wide Very Wide Elliptical



GEKKO LINEAR

When ordering Gekko Linear, the following must always be stated.

Length of fixture:	100–3000 mm
Coating of luminaire:	Grey, black, white
Number of LED modules:	1–18 pcs per feed
Number of feeds:	Minimum 1
Lens:	N, M, W, VW, E
Color temperature:	2200, 2700, 3000, 4000, 5700
Cable color	Grey, black, white
Cable length	Minimum 2 meter
Cable exit:	Gable, upwards, backwards
Classification:	IP20 or IP66

■ GEK-LIN	Gekko Linear Max 3 meter, IP 20	According to customer specifications
■ GEK-LIN-IP66	Gekko Linear Max 3 meter, IP 66	According to customer specifications

GEKKO MODULES

Gekko Linear is fitted with these modules.

2200K	GEK22-N	Gekko LED module 2200K, Lens N	180lm, Vf=3V, 700mA, CRI 90
	GEK22-M	Gekko LED module 2200K, Lens M	180lm, Vf=3V, 700mA, CRI 90
	GEK22-W	Gekko LED module 2200K, Lens W	180lm, Vf=3V, 700mA, CRI 90
	GEK22-VW	Gekko LED module 2200K, Lens VW	180lm, Vf=3V, 700mA, CRI 90
	GEK22-E	Gekko LED module 2200K, Lens E, 48X19	180lm, Vf=3V, 700mA, CRI 90
2700K	GEK27-N	Gekko LED module 2700K, Lens N	180lm, Vf=3V, 700mA, CRI 90
	GEK27-M	Gekko LED module 2700K, Lens M	180lm, Vf=3V, 700mA, CRI 90
	GEK27-W	Gekko LED module 2700K, Lens W	180lm, Vf=3V, 700mA, CRI 90
	GEK27-VW	Gekko LED module 2700K, Lens VW	190lm, Vf=3V, 700mA, CRI 90
	GEK27-E	Gekko LED module 2700K, Lens E, 48X19	190lm, Vf=3V, 700mA, CRI 90
3000K	GEK30-N	Gekko LED module 3000K, Lens N	190lm, Vf=3V, 700mA, CRI 90
	GEK30-M	Gekko LED module 3000K, Lens M	190lm, Vf=3V, 700mA, CRI 90
	GEK30-W	Gekko LED module 3000K, Lens W	190lm, Vf=3V, 700mA, CRI 90
	GEK30-VW	Gekko LED module 3000K, Lens VW	190lm, Vf=3V, 700mA, CRI 90
	GEK30-E	Gekko LED module 3000K, Lens E, 48X19	190lm, Vf=3V, 700mA, CRI 90
4000K	GEK40-N	Gekko LED module 4000K, Lens N	200lm, Vf=3V, 700mA, CRI 90
	GEK40-M	Gekko LED module 4000K, Lens M	200lm, Vf=3V, 700mA, CRI 90
	GEK40-W	Gekko LED module 4000K, Lens W	200lm, Vf=3V, 700mA, CRI 90
	GEK40-VW	Gekko LED module 4000K, Lens VW	200lm, Vf=3V, 700mA, CRI 90
	GEK40-E	Gekko LED module 4000K, Lens E, 48X19	200lm, Vf=3V, 700mA, CRI 90
5700K	GEK57-N	Gekko LED module 5700K, Lens N	210lm, Vf=3V, 700mA, CRI 90
	GEK57-M	Gekko LED module 5700K, Lens M	210lm, Vf=3V, 700mA, CRI 90
	GEK57-W	Gekko LED module 5700K, Lens W	210lm, Vf=3V, 700mA, CRI 90
	GEK57-VW	Gekko LED module 5700K, Lens VW	210lm, Vf=3V, 700mA, CRI 90
	GEK57-E	Gekko LED module 5700K, Lens E, 48X19	210lm, Vf=3V, 700mA, CRI 90