

# neo Profile 2

Contour spotlight with zoom lens system.

Variable beam with continuous control 14–27°.

Built-in beam shaping shutters.

Ability to project gobo patterns.

Installation on 3-phase track.



## EXCLUSIVELY DEVELOPED

Neo is exclusively developed for use in museum.

Every fixture can individually handle all changable variable of the light.

Absolute direction, different shapes and sharpness, alternative colors and variable intensity. Everything is integrated!

## ABOUT NEO

Neo Profile is available in 3 main versions:

- Analog. On-board-dimmer and dimmable with external dimmer
- DMX. Wired through Global Trac Control and Global Trac Pulse
- CRMX. Wireless DMX512 Lumen Radio

All versions of Neo has its own integrated dimmer potentiometer which is an indispensable feature during rigging and focusing!

## FEATURES

### LIGHTING

- Flicker free soft dimming all the way from 0 %
- High Power LED-module 1900 lumen (3000K)
- Color stability CRI 95+ Mac Adam <2 (3000K)

### APPEARANCE

- Discreet and functional form
- Real small size, fits anywhere
- Passive cooling
- Low weight

### EASE OF USE

- Integrated filter holder enables color temperature shifting and diffusion
- Mounting in every direction, both horizontal and vertical
- Pan and tilt movements are fully lockable without tools

### FUTURE PROOF

- Possibility to change LED-module and upgrade driver firmware
- Can be completely disassembled into components for remanufacturing or recycling

### COUNTRY OF ORIGIN

Neo is designed, developed and made in Sweden.



# neo Profile 2

## RANGE

### NEO PROFILE 2 ANALOG

Analog version with local dimming control for regular 3 phase track.



<input type="checkbox"/>	NEO27b-P-1	14–27°, 2700K, CRI 90+, 27W LED
<input type="checkbox"/>	NEO27b-P-2	14–27°, 2700K, CRI 90+, 27W LED
<input type="checkbox"/>	NEO27b-P-3	14–27°, 2700K, CRI 90+, 27W LED

<input type="checkbox"/>	NEO30b-P-1	14–27°, 3000K, CRI 95+, 27W LED
<input type="checkbox"/>	NEO30b-P-2	14–27°, 3000K, CRI 95+, 27W LED
<input type="checkbox"/>	NEO30b-P-3	14–27°, 3000K, CRI 95+, 27W LED

<input type="checkbox"/>	NEO40b-P-1	14–27°, 4000K, CRI 90+, 27W LED
<input type="checkbox"/>	NEO40b-P-2	14–27°, 4000K, CRI 90+, 27W LED
<input type="checkbox"/>	NEO40b-P-3	14–27°, 4000K, CRI 90+, 27W LED

### NEO PROFILE 2 CRMX

DMX control version with Lumen Radio CRMX for regular 3 phase track.



<input type="checkbox"/>	NEO27bXC-P-1	14–27°, 2700K, CRI 90+, 27W LED
<input type="checkbox"/>	NEO27bXC-P-2	14–27°, 2700K, CRI 90+, 27W LED
<input type="checkbox"/>	NEO27bXC-P-3	14–27°, 2700K, CRI 90+, 27W LED

<input type="checkbox"/>	NEO30bXC-P-1	14–27°, 3000K, CRI 95+, 27W LED
<input type="checkbox"/>	NEO30bXC-P-2	14–27°, 3000K, CRI 95+, 27W LED
<input type="checkbox"/>	NEO30bXC-P-3	14–27°, 3000K, CRI 95+, 27W LED

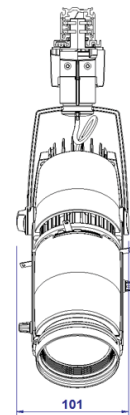
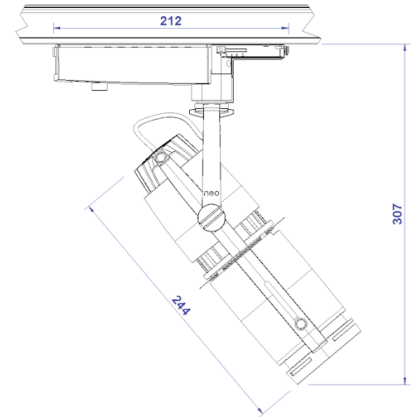
<input type="checkbox"/>	NEO40bXC-P-1	14–27°, 4000K, CRI 90+, 27W LED
<input type="checkbox"/>	NEO40bXC-P-2	14–27°, 4000K, CRI 90+, 27W LED
<input type="checkbox"/>	NEO40bXC-P-3	14–27°, 4000K, CRI 90+, 27W LED



# neo Profile 2

## TECHNICAL SPECIFICATION

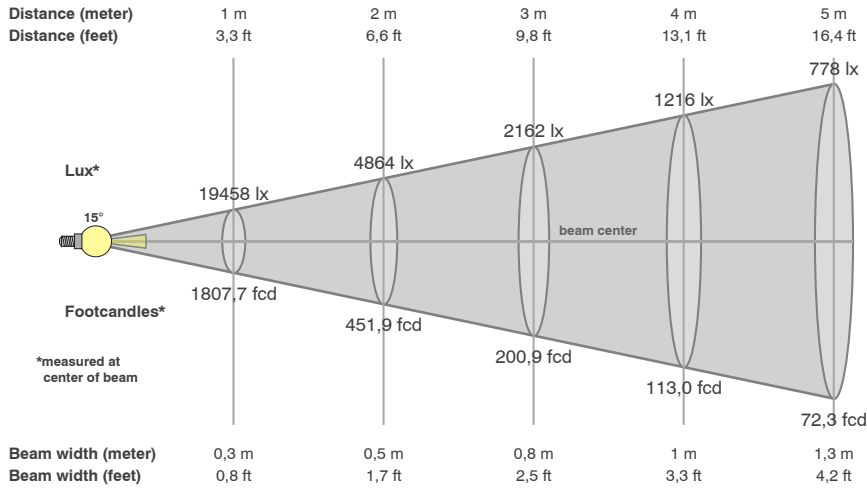
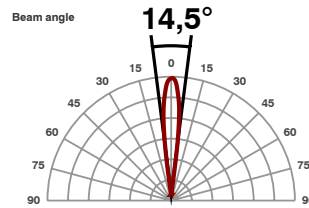
Material:	Lamp housing of die-cast magnesium. Adapter housing of dyed PBT and polycarbonate. Handles and yoke lock of thermoplastics (Hytrel). Lenses of antireflection coated optical glass.
Finish:	Powder coated Grey (RAL 9006) Black (RAL 9005) White (RAL 9016)
System:	3-phase circuit track (eg. Global Trac, Erco, Zumtobel, iGuzzini, Eutrac and Hoffmeister). DMX with wireless LumenRadio CRMX.
Installation:	Developed for track on wall or ceiling.
Protection class:	IP20
Operating voltage:	100–240V~ 50/60Hz
Light source:	High power LED 1900 lm (3000K)
Total power:	27 W
Power factor:	0,93
Beam angle:	Continuous adjustable 14–27°
Luminous efficacy:	34 lm / W (at 14° beam angle) 42 lm / W (at 27° beam angle)
CRI:	95+ (3000K only)
Color temperature:	2700K / 3000 K / 4000K
Color deviation:	MacAdam 2-step ellipse (SDCM <2) (3000K)
Rated life:	L80 > 36 000h according to TM21 /LM80 (Ta 25°) Estimated lumen maintenance at 50 000h is equal to 81,54%
LED failure rate:	0,1% 50 000h
Driver:	Analog version for 3-phase track (NEO30b) Wireless DMX for 3-phase track (NEO30bXC) Driver is enclosed in the adapter. Local dimming control on all versions.
Weight:	1.05 kg
Measurements:	307x212x101 mm (LxWxD)
Swivels:	>365°
Tilts:	>90°
Dimming:	0–100%.
Features:	Filter holder, phase selector, lockable pan/tilt
Accessories:	Gobo holder, gobo E-size patterns, filters



# neo Profile 2

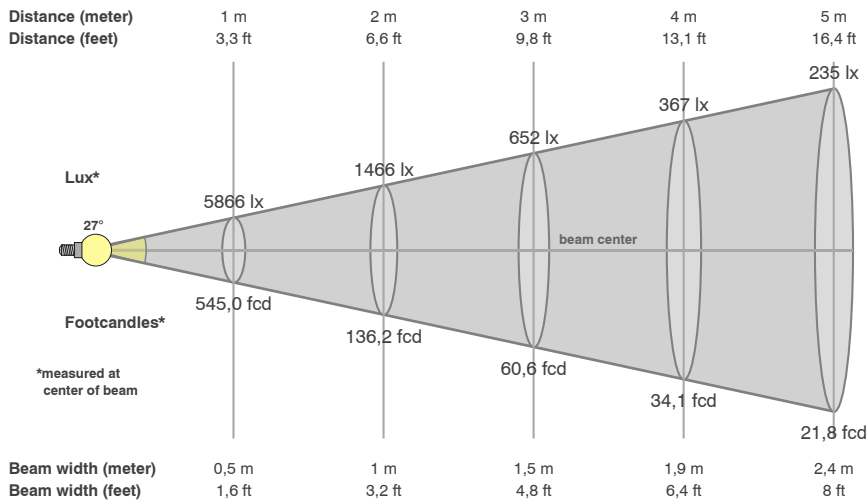
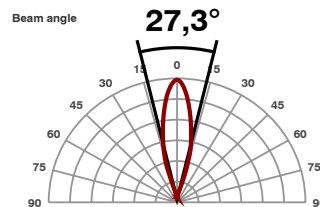
## NARROWEST BEAM ANGLE

Light efficiency: 34 lm / W  
 Light output ratio: 47,8%  
 Output: 915 lm  
 Peak: 19499 cd  
 Power: 27 W  
 PF: 0,93



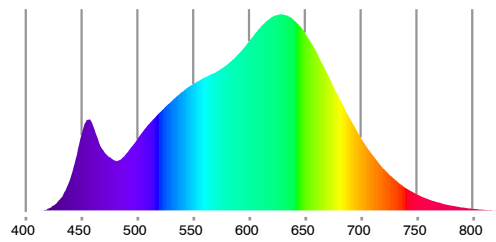
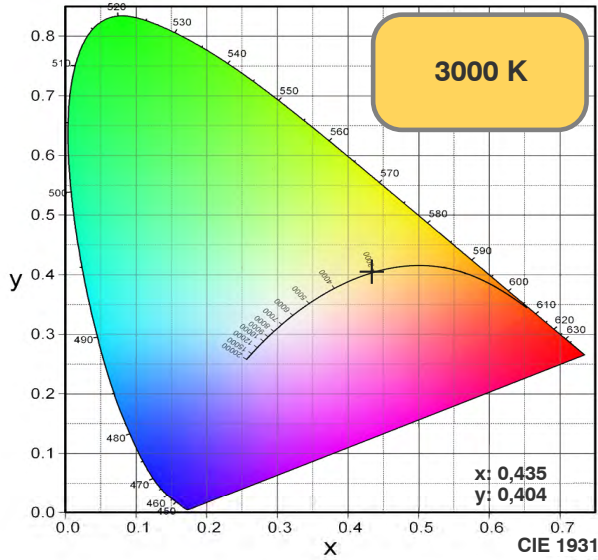
## WIDEST BEAM ANGLE

Light efficiency: 42 lm / W  
 Light output ratio: 59,3%  
 Output: 1136 lm  
 Peak: 5869 cd  
 Power: 27 W  
 PF: 0,93

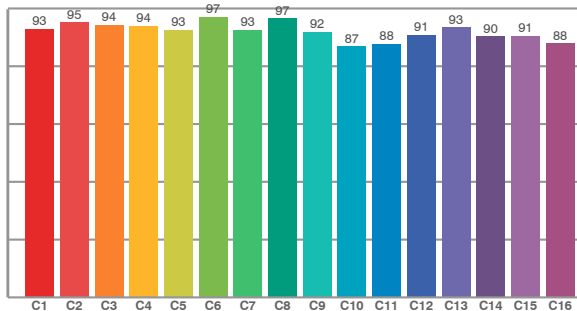


# neo Profile 2

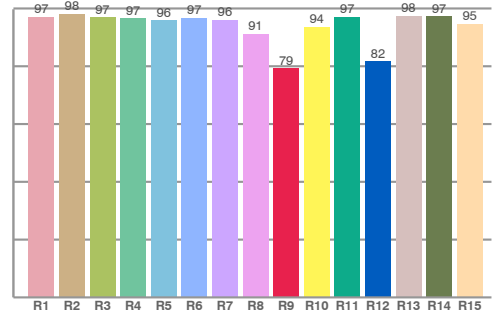
## COLORMETRICS



TM30: 92,3



CRI: 96,1 (R1-R8)



CRI R values, only R1-R8 are used to calculate final CRI value

R1	R2	R3	R4	R5	R6	R7	R8	R9	R10	R11	R12	R13	R14	R15
97,06	98,12	96,90	96,59	95,95	96,81	90,06	91,13	79,23	93,54	97,00	81,65	97,52	97,31	94,72

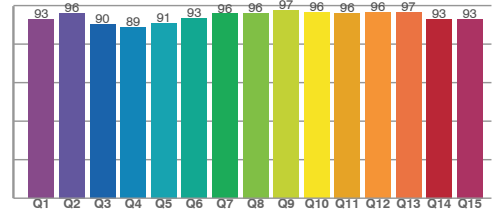
TM30 C values, 16 binned values out of total of 99 C values

C1	C2	C3	C4	C5	C6	C7	C8	C9	C10	C11	C12	C13	C14	C15	C16
92,99	95,23	94,37	93,98	92,66	97,14	92,64	96,61	91,90	86,94	87,82	90,90	93,49	90,36	90,59	87,84

CQS Q values

Q1	Q2	Q3	Q4	Q5	Q6	Q7	Q8	Q9	Q10	Q11	Q12	Q13	Q14	Q15
92,79	98,15	90,43	88,64	90,98	93,44	95,79	96,21	97,48	96,45	96,10	96,43	96,50	93,09	93,08

CQS: 93,5



## Color parameters

CCT	CRI	CRI R9	TM30 Rf	TM30 Rg	CQS	x	y	u	v	Duv
3041 K	96,1	79,2	92,3	99,1	93,5	0,4	0,4	0,2	0,3	0,0004

