

gadget L



A larger luminaire with nifty features

With narrow beam angles and high intensity, Gadget can handle lighting tasks from long distance.

Great for churches and other spaces with really high ceiling heights.

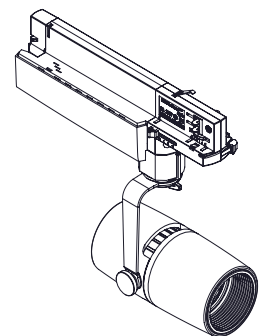
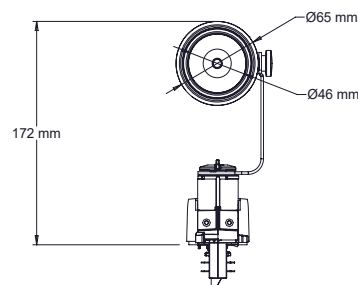
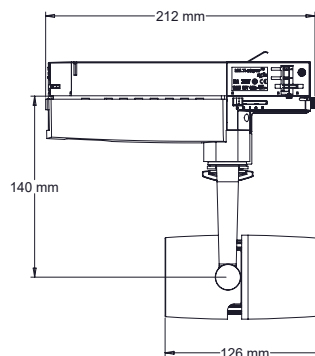
Comes in three different beam angles.

Description

Gadget L is the larger version of Gadget, available with various drivers for different lighting applications.

TECHNICAL SPECIFICATION

Material	Lamp housing of machined aluminum Yoke and details of steel Adapter housing of PBT/PC 10 GF Lens of Acrylic
Finish	Grey (RAL 7040) Black (RAL 9005) White (RAL 9016) Custom coating is available upon request
System	3-phase circuit track (eg. Global Trac, Erco, Zumtobel, iGuzzini, Eutrac and Hoffmeister)
Dimming control	Integrated manual dimmer 0-100% DMX via Lumenradio DMX DALI-version (only for Global Trac PULSE track system or equivalent) Not compatible with mains dimmer
Protection class	IP20
Operating voltage	230V~ 50/60Hz
Power consumption	27W
CRI	95 (Typical 98 CRI)
Color temperature	2700K/3000K/4000K
Beam angle	12/20/30°
Swivels	>365°
Tilts	>90°
Features	Phase selector, lockable pan/tilt
Optional accessories	Filters and honeycomb



GADGET L ANALOG

Analog version with built in local dimmer (0-100%)

2700K	<input type="checkbox"/>	GADL27-AH-1	Gadget L 230V/27W 2700K, Grey	2160lm, CRI 95, lens N, 3-phase, dimmer
	<input checked="" type="checkbox"/>	GADL27-AH-2	Gadget L 230V/27W 2700K, Black	2160lm, CRI 95, lens N, 3-phase, dimmer
	<input type="checkbox"/>	GADL27-AH-3	Gadget L 230V/27W 2700K, White	2160lm, CRI 95, lens N, 3-phase, dimmer
3000K	<input checked="" type="checkbox"/>	GADL30-AH-1	Gadget L 230V/27W 3000K, Grey	2300lm, CRI 95, lens N, 3-phase, dimmer
	<input checked="" type="checkbox"/>	GADL30-AH-2	Gadget L 230V/27W 3000K, Black	2300lm, CRI 95, lens N, 3-phase, dimmer
	<input type="checkbox"/>	GADL30-AH-3	Gadget L 230V/27W 3000K, White	2300lm, CRI 95, lens N, 3-phase, dimmer
4000K	<input checked="" type="checkbox"/>	GADL40-AH-1	Gadget L 230V/27W 4000K, Grey	2520lm, CRI 90, lens N, 3-phase, dimmer
	<input checked="" type="checkbox"/>	GADL40-AH-2	Gadget L 230V/27W 4000K, Black	2520lm, CRI 90, lens N, 3-phase, dimmer
	<input type="checkbox"/>	GADL40-AH-3	Gadget L 230V/27W 4000K, White	2520lm, CRI 90, lens N, 3-phase, dimmer

GADGET L DMX

DMX (Dimming 0-100%) wireless via Lumenradio CRMX.



2700K	<input type="checkbox"/>	GADL27-AHX-1	Gadget L 230V/27W DMX 2700K, Grey	2160lm, CRI 95, lens N, 3-phase, wireless DMX
	<input checked="" type="checkbox"/>	GADL27-AHX-2	Gadget L 230V/27W DMX 2700K, Black	2160lm, CRI 95, lens N, 3-phase, wireless DMX
	<input type="checkbox"/>	GADL27-AHX-3	Gadget L 230V/27W DMX 2700K, White	2160lm, CRI 95, lens N, 3-phase, wireless DMX
3000K	<input checked="" type="checkbox"/>	GADL30-AHX-1	Gadget L 230V/27W DMX 3000K, Grey	2300lm, CRI 95, lens N, 3-phase, wireless DMX
	<input checked="" type="checkbox"/>	GADL30-AHX-2	Gadget L 230V/27W DMX 3000K, Black	2300lm, CRI 95, lens N, 3-phase, wireless DMX
	<input type="checkbox"/>	GADL30-AHX-3	Gadget L 230V/27W DMX 3000K, White	2300lm, CRI 95, lens N, 3-phase, wireless DMX
4000K	<input checked="" type="checkbox"/>	GADL40-AHX-1	Gadget L 230V/27W DMX 4000K, Grey	2520lm, CRI 90, lens N, 3-phase, wireless DMX
	<input checked="" type="checkbox"/>	GADL40-AHX-2	Gadget L 230V/27W DMX 4000K, Black	2520lm, CRI 90, lens N, 3-phase, wireless DMX
	<input type="checkbox"/>	GADL40-AHX-3	Gadget L 230V/27W DMX 4000K, White	2520lm, CRI 90, lens N, 3-phase, wireless DMX

GADGET L DALI

DALI (Dimming 1-100%). This luminaire is equipped with a DALI driver for PULSE track.



2700K	<input type="checkbox"/>	GADL27-AHD-1	Gadget L 230V/27W DALI 2700K, Grey	2160lm, CRI 95, lens N, 3-phase, PULSE DALI
	<input checked="" type="checkbox"/>	GADL27-AHD-2	Gadget L 230V/27W DALI 2700K, Black	2160lm, CRI 95, lens N, 3-phase, PULSE DALI
	<input type="checkbox"/>	GADL27-AHD-3	Gadget L 230V/27W DALI 2700K, White	2160lm, CRI 95, lens N, 3-phase, PULSE DALI
3000K	<input checked="" type="checkbox"/>	GADL30-AHD-1	Gadget L 230V/27W DALI 3000K, Grey	2300lm, CRI 95, lens N, 3-phase, PULSE DALI
	<input checked="" type="checkbox"/>	GADL30-AHD-2	Gadget L 230V/27W DALI 3000K, Black	2300lm, CRI 95, lens N, 3-phase, PULSE DALI
	<input type="checkbox"/>	GADL30-AHD-3	Gadget L 230V/27W DALI 3000K, White	2300lm, CRI 95, lens N, 3-phase, PULSE DALI
4000K	<input checked="" type="checkbox"/>	GADL40-AHD-1	Gadget L 230V/27W DALI 4000K, Grey	2520lm, CRI 90, lens N, 3-phase, PULSE DALI
	<input checked="" type="checkbox"/>	GADL40-AHD-2	Gadget L 230V/27W DALI 4000K, Black	2520lm, CRI 90, lens N, 3-phase, PULSE DALI
	<input type="checkbox"/>	GADL40-AHD-3	Gadget L 230V/27W DALI 4000K, White	2520lm, CRI 90, lens N, 3-phase, PULSE DALI

GADGET L CASAMBI

Fits standard 3-phase track.



2700K	<input type="checkbox"/>	GADL27-AHC-1	Gadget L 230V/27W Casambi 2700K, Grey	2160lm, CRI 95, lens N, 3-phase
	<input checked="" type="checkbox"/>	GADL27-AHC-2	Gadget L 230V/27W Casambi 2700K, Black	2160lm, CRI 95, lens N, 3-phase
	<input type="checkbox"/>	GADL27-AHC-3	Gadget L 230V/27W Casambi 2700K, White	2160lm, CRI 95, lens N, 3-phase
3000K	<input checked="" type="checkbox"/>	GADL30-AHC-1	Gadget L 230V/27W Casambi 3000K, Grey	2300lm, CRI 95, lens N, 3-phase
	<input checked="" type="checkbox"/>	GADL30-AHC-2	Gadget L 230V/27W Casambi 3000K, Black	2300lm, CRI 95, lens N, 3-phase
	<input type="checkbox"/>	GADL30-AHC-3	Gadget L 230V/27W Casambi 3000K, White	2300lm, CRI 95, lens N, 3-phase
4000K	<input checked="" type="checkbox"/>	GADL40-AHC-1	Gadget L 230V/27W Casambi 4000K, Grey	2520lm, CRI 90, lens N, 3-phase
	<input checked="" type="checkbox"/>	GADL40-AHC-2	Gadget L 230V/27W Casambi 4000K, Black	2520lm, CRI 90, lens N, 3-phase
	<input type="checkbox"/>	GADL40-AHC-3	Gadget L 230V/27W Casambi 4000K, White	2520lm, CRI 90, lens N, 3-phase