

gizmo

Gizmo is designed to discretely illuminate objects in museum display cases



Interchangeable lenses

Gizmo has been a proud servant in museums all over Scandinavia for over 10 years. Over the years, it has been constantly improved to meet lighting designers expectations of a high-quality fixture.

The benefits

- Optics (lenses) can be interchanged without tools
- Available in many variations

Choose the system that fits your needs.

	Pico Trac	LED Profile
Article	PT	CCL
Function	Integrated manual dimmer 0-100%	No local dimmer External dimming possible
Compatibility	12V DC	700 mA

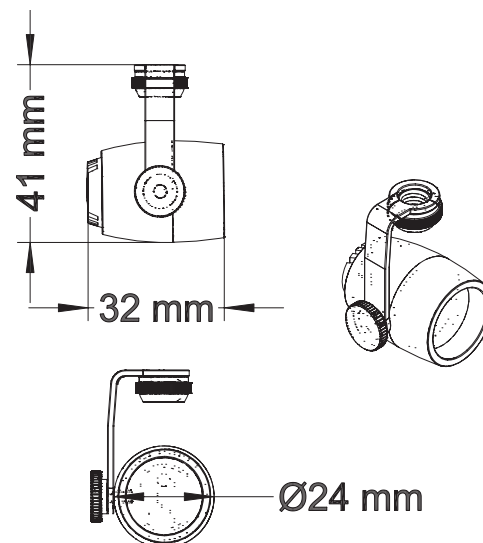
Gizmo Specification

Material	Lamp housing made of aluminum Yoke and details made of steel Lens made of polycarbonate
Finish	Grey (RAL 7040) Black (RAL 9005) White (RAL 9016) Brass
System	Pico Trac LED profile
Protection class	IP20
Operating	12V DC/CC
Power consumption	2,1W/3W
Beam angle	Interchangeable lenses
Color temperatures	2200K, 2700K, 3000K, 4000K
Swivels	>365°
Tilts	>90°
Weight	50 g
Features	Toolless pan and tilt lock
Optional accessories	Snoot, Magnet, Ceiling cup



Light Data

LED Lumen	300 lm
Luminaire Lumen	150 lm
CRI	90
Red component R9	>60
MacAdam	3-step ellipse (SDCM 3)
TM30-18 Rf	92
TM30-18 Rg	104



Beam angles

Lens:	Narrow		Medium		Wide		Elliptical	
	12,6°		20,6°		23,3°		45 x 9°	
[m]	Ø	Lux	Ø	Lux	Ø	Lux	Ø	Lux
1	0,2	2270	0,4	714	0,4	529	0,5	941
2	0,4	567	0,7	179	0,8	132	1	235
3	0,7	252	1,1	79	1,2	59	1,4	105

Light data from 3000K

SPOTLIGHTS GIZMO



GIZMO / PICO TRAC

Built-in local dimmer (0-100%)

Fits Pico Trac

2200K		GIZ22-PT-1	Gizmo 12V DC/3W Pico Trac 2200K, Grey	CRI 80, lens N, dimmer
		GIZ22-PT-2	Gizmo 12V DC/3W Pico Trac 2200K, Black	CRI 80, lens N, dimmer
		GIZ22-PT-3	Gizmo 12V DC/3W Pico Trac 2200K, White	CRI 80, lens N, dimmer
		GIZ22-PT-4	Gizmo 12V DC/3W Pico Trac 2200K, Brass	CRI 80, lens N, dimmer
2700K		GIZ27-PT-1	Gizmo 12V DC/3W Pico Trac 2700K, Grey	CRI 90, lens N, dimmer
		GIZ27-PT-2	Gizmo 12V DC/3W Pico Trac 2700K, Black	CRI 90, lens N, dimmer
		GIZ27-PT-3	Gizmo 12V DC/3W Pico Trac 2700K, White	CRI 90, lens N, dimmer
		GIZ27-PT-4	Gizmo 12V DC/3W Pico Trac 2700K, Brass	CRI 90, lens N, dimmer
3000K		GIZ30-PT-1	Gizmo 12V DC/3W Pico Trac 3000K, Grey	CRI 90, lens N, dimmer
		GIZ30-PT-2	Gizmo 12V DC/3W Pico Trac 3000K, Black	CRI 90, lens N, dimmer
		GIZ30-PT-3	Gizmo 12V DC/3W Pico Trac 3000K, White	CRI 90, lens N, dimmer
		GIZ30-PT-4	Gizmo 12V DC/3W Pico Trac 3000K, Brass	CRI 90, lens N, dimmer
4000K		GIZ40-PT-1	Gizmo 12V DC/3W Pico Trac 4000K, Grey	CRI 90, lens N, dimmer
		GIZ40-PT-2	Gizmo 12V DC/3W Pico Trac 4000K, Black	CRI 90, lens N, dimmer
		GIZ40-PT-3	Gizmo 12V DC/3W Pico Trac 4000K, White	CRI 90, lens N, dimmer
		GIZ40-PT-4	Gizmo 12V DC/3W Pico Trac 4000K, Brass	CRI 90, lens N, dimmer



GIZMO / CCL

For LED Profile

Operated by external LED driver, max 700 mA / 2,1W, Vf = 3V

2200K		GIZ22-CCL-1	Gizmo CC/700mA LED Profile 2200K, Grey	Vf=3V, 700mA, CRI 80, lens N
		GIZ22-CCL-2	Gizmo CC/700mA LED Profile 2200K, Black	Vf=3V, 700mA, CRI 80, lens N
		GIZ22-CCL-3	Gizmo CC/700mA LED Profile 2200K, White	Vf=3V, 700mA, CRI 80, lens N
		GIZ22-CCL-4	Gizmo CC/700mA LED Profile 2200K, Brass	Vf=3V, 700mA, CRI 80, lens N
2700K		GIZ27-CCL-1	Gizmo CC/700mA LED Profile 2700K, Grey	Vf=3V, 700mA, CRI 90, lens N
		GIZ27-CCL-2	Gizmo CC/700mA LED Profile 2700K, Black	Vf=3V, 700mA, CRI 90, lens N
		GIZ27-CCL-3	Gizmo CC/700mA LED Profile 2700K, White	Vf=3V, 700mA, CRI 90, lens N
		GIZ27-CCL-4	Gizmo CC/700mA LED Profile 2700K, Brass	Vf=3V, 700mA, CRI 90, lens N
3000K		GIZ30-CCL-1	Gizmo CC/700mA LED Profile 3000K, Grey	Vf=3V, 700mA, CRI 90, lens N
		GIZ30-CCL-2	Gizmo CC/700mA LED Profile 3000K, Black	Vf=3V, 700mA, CRI 90, lens N
		GIZ30-CCL-3	Gizmo CC/700mA LED Profile 3000K, White	Vf=3V, 700mA, CRI 90, lens N
		GIZ30-CCL-4	Gizmo CC/700mA LED Profile 3000K, Brass	Vf=3V, 700mA, CRI 90, lens N
4000K		GIZ40-CCL-1	Gizmo CC/700mA LED Profile 4000K, Grey	Vf=3V, 700mA, CRI 90, lens N
		GIZ40-CCL-2	Gizmo CC/700mA LED Profile 4000K, Black	Vf=3V, 700mA, CRI 90, lens N
		GIZ40-CCL-3	Gizmo CC/700mA LED Profile 4000K, White	Vf=3V, 700mA, CRI 90, lens N
		GIZ40-CCL-4	Gizmo CC/700mA LED Profile 4000K, Brass	Vf=3V, 700mA, CRI 90, lens N





GIZMO / CCS

No driver / adapter included

Operated by external LED driver, max 700 mA / 2,1W, Vf = 3V

2200K	<input type="checkbox"/>	GIZ22-CCS-1	Gizmo CC/700mA Solo 2200K, Grey	Vf=3V, 700mA, CRI 80, lens N, 1m cable
	<input type="checkbox"/>	GIZ22-CCS-2	Gizmo CC/700mA Solo 2200K, Black	Vf=3V, 700mA, CRI 80, lens N, 1m cable
	<input type="checkbox"/>	GIZ22-CCS-3	Gizmo CC/700mA Solo 2200K, White	Vf=3V, 700mA, CRI 80, lens N, 1m cable
	<input type="checkbox"/>	GIZ22-CCS-4	Gizmo CC/700mA Solo 2200K, Brass	Vf=3V, 700mA, CRI 80, lens N, 1m cable
2700K	<input type="checkbox"/>	GIZ27-CCS-1	Gizmo CC/700mA Solo 2700K, Grey	Vf=3V, 700mA, CRI 90, lens N, 1m cable
	<input type="checkbox"/>	GIZ27-CCS-2	Gizmo CC/700mA Solo 2700K, Black	Vf=3V, 700mA, CRI 90, lens N, 1m cable
	<input type="checkbox"/>	GIZ27-CCS-3	Gizmo CC/700mA Solo 2700K, White	Vf=3V, 700mA, CRI 90, lens N, 1m cable
	<input type="checkbox"/>	GIZ27-CCS-4	Gizmo CC/700mA Solo 2700K, Brass	Vf=3V, 700mA, CRI 90, lens N, 1m cable
3000K	<input type="checkbox"/>	GIZ30-CCS-1	Gizmo CC/700mA Solo 3000K, Grey	Vf=3V, 700mA, CRI 90, lens N, 1m cable
	<input type="checkbox"/>	GIZ30-CCS-2	Gizmo CC/700mA Solo 3000K, Black	Vf=3V, 700mA, CRI 90, lens N, 1m cable
	<input type="checkbox"/>	GIZ30-CCS-3	Gizmo CC/700mA Solo 3000K, White	Vf=3V, 700mA, CRI 90, lens N, 1m cable
	<input type="checkbox"/>	GIZ30-CCS-4	Gizmo CC/700mA Solo 3000K, Brass	Vf=3V, 700mA, CRI 90, lens N, 1m cable
4000K	<input type="checkbox"/>	GIZ40-CCS-1	Gizmo CC/700mA Solo 4000K, Grey	Vf=3V, 700mA, CRI 90, lens N, 1m cable
	<input type="checkbox"/>	GIZ40-CCS-2	Gizmo CC/700mA Solo 4000K, Black	Vf=3V, 700mA, CRI 90, lens N, 1m cable
	<input type="checkbox"/>	GIZ40-CCS-3	Gizmo CC/700mA Solo 4000K, White	Vf=3V, 700mA, CRI 90, lens N, 1m cable
	<input type="checkbox"/>	GIZ40-CCS-4	Gizmo CC/700mA Solo 4000K, Brass	Vf=3V, 700mA, CRI 90, lens N, 1m cable

GIZMO SNOOTS

Extended glare protection for Gizmo fixtures

Length is 25 mm

<input type="checkbox"/>	GIZ-B25-1	Gizmo Snoot, Grey
<input type="checkbox"/>	GIZ-B25-2	Gizmo Snoot, Black
<input type="checkbox"/>	GIZ-B25-3	Gizmo Snoot, White
<input type="checkbox"/>	GIZ-B25-4	Gizmo Snoot, Brass

GIZMO LENSES

Lenses for Gizmo fixture

<input type="checkbox"/>	GIZ-L-VN	Gizmo Lens Very Narrow
<input type="checkbox"/>	GIZ-L-N	Gizmo Lens Narrow
<input type="checkbox"/>	GIZ-L-M	Gizmo Lens Medium
<input type="checkbox"/>	GIZ-L-W	Gizmo Lens Wide
<input type="checkbox"/>	GIZ-L-E	Gizmo Lens Elliptical