

ARTY PAR

Arty PAR is a compact spotlight that copes with most lighting situations

Based on the reliable Dinkey platform but with generally higher power.

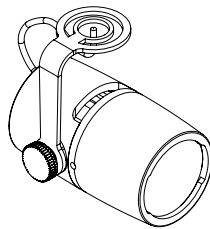
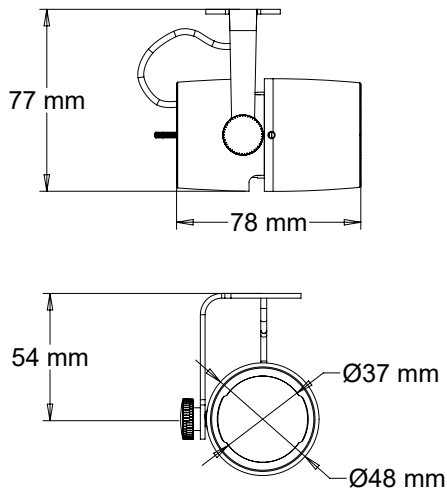
Very compact and robust lamp housing of aluminium.

On board dimmer.



Description

Arty PAR have more punch of light than Dinkey.



TECHNICAL SPECIFICATION

Material	Lamp housing of aluminium Yoke and details of steel Adapter of PC Lens of PC
Finish	Grey (RAL 9006) Black (RAL 9005) White (RAL 9016)
System	12V DC Mini Trac (3 phase circuit track)
Dimming control	Built-in dimmer Not compatible with mains dimmer
Protection class	IP20
Operating voltage	12V DC/230V/CC
Power consumption	8W
CRI	90
Color temperature	2700K/3000K/4000K
Beam angle	Very Narrow Narrow (standard) Medium Wide Elliptical
Swivels	>365°
Tilts	>90°
Optional accessories	Honeycomb 40mm

ARTY PAR / MINI TRAC

Built in local dimmer (0-100%)

2700K		ARTPAR27C-MT-1	Arty PAR 12V DC/8W Mini Trac 2700K, Grey	500, CRI 90, lens N, dimmer
		ARTPAR27C-MT-2	Arty PAR 12V DC/8W Mini Trac 2700K, Black	500, CRI 90, lens N, dimmer
		ARTPAR27C-MT-3	Arty PAR 12V DC/8W Mini Trac 2700K, White	500, CRI 90, lens N, dimmer
3000K		ARTPAR30C-MT-1	Arty PAR 12V DC/8W Mini Trac 3000K, Grey	530, CRI 90, lens N, dimmer
		ARTPAR30C-MT-2	Arty PAR 12V DC/8W Mini Trac 3000K, Black	530, CRI 90, lens N, dimmer
		ARTPAR30C-MT-3	Arty PAR 12V DC/8W Mini Trac 3000K, White	530, CRI 90, lens N, dimmer
4000K		ARTPAR40C-MT-1	Arty PAR 12V DC/8W Mini Trac 4000K, Grey	530, CRI 90, lens N, dimmer
		ARTPAR40C-MT-2	Arty PAR 12V DC/8W Mini Trac 4000K, Black	530, CRI 90, lens N, dimmer
		ARTPAR40C-MT-3	Arty PAR 12V DC/8W Mini Trac 4000K, White	530, CRI 90, lens N, dimmer

ARTY PAR / SOLO

Built in local dimmer (0-100%)

2700K		ARTPAR27C-LVS-1	Arty PAR 12V DC/8W Solo 2700K, Grey	500lm, CRI 90, lens N, dimmer, 1m cable
		ARTPAR27C-LVS-2	Arty PAR 12V DC/8W Solo 2700K, Black	500lm, CRI 90, lens N, dimmer, 1m cable
		ARTPAR27C-LVS-3	Arty PAR 12V DC/8W Solo 2700K, White	500lm, CRI 90, lens N, dimmer, 1m cable
3000K		ARTPAR30C-LVS-1	Arty PAR 12V DC/8W Solo 3000K, Grey	530lm, CRI 90, lens N, dimmer, 1m cable
		ARTPAR30C-LVS-2	Arty PAR 12V DC/8W Solo 3000K, Black	530lm, CRI 90, lens N, dimmer, 1m cable
		ARTPAR30C-LVS-3	Arty PAR 12V DC/8W Solo 3000K, White	530lm, CRI 90, lens N, dimmer, 1m cable
4000K		ARTPAR40C-LVS-1	Arty PAR 12V DC/8W Solo 4000K, Grey	530lm, CRI 90, lens N, dimmer, 1m cable
		ARTPAR40C-LVS-2	Arty PAR 12V DC/8W Solo 4000K, Black	530lm, CRI 90, lens N, dimmer, 1m cable
		ARTPAR40C-LVS-3	Arty PAR 12V DC/8W Solo 4000K, White	530lm, CRI 90, lens N, dimmer, 1m cable

ARTY PAR / 230V

Multi-adapter for 3 phase circuit track with built-in local dimmer (0-100%)

2700K		ARTPAR27C-HV-1	Arty PAR 230V/10W Multi 2700K, Grey	500lm, CRI 90, lens N, 3-phase, dimmer
		ARTPAR27C-HV-2	Arty PAR 230V/10W Multi 2700K, Black	500lm, CRI 90, lens N, 3-phase, dimmer
		ARTPAR27C-HV-3	Arty PAR 230V/10W Multi 2700K, White	500lm, CRI 90, lens N, 3-phase, dimmer
3000K		ARTPAR30C-HV-1	Arty PAR 230V/10W Multi 3000K, Grey	530lm, CRI 90, lens N, 3-phase, dimmer
		ARTPAR30C-HV-2	Arty PAR 230V/10W Multi 3000K, Black	530lm, CRI 90, lens N, 3-phase, dimmer
		ARTPAR30C-HV-3	Arty PAR 230V/10W Multi 3000K, White	530lm, CRI 90, lens N, 3-phase, dimmer
4000K		ARTPAR40C-HV-1	Arty PAR 230V/10W Multi 4000K, Grey	530lm, CRI 90, lens N, 3-phase, dimmer
		ARTPAR40C-HV-2	Arty PAR 230V/10W Multi 4000K, Black	530lm, CRI 90, lens N, 3-phase, dimmer
		ARTPAR40C-HV-3	Arty PAR 230V/10W Multi 4000K, White	530lm, CRI 90, lens N, 3-phase, dimmer

ARTY PAR CC 450LM

Without driver. For single use or Installation on LED profile High or Low. Max 500mA, 6W.

2700K		ARTPAR27B-CCL-1	Arty PAR CC/500mA LED profile 2700K, Grey	450lm, Vf=12V, 500mA, CRI90, Lens N
		ARTPAR27B-CCL-2	Arty PAR CC/500mA LED profile 2700K, Black	450lm, Vf=12V, 500mA, CRI90, Lens N
		ARTPAR27B-CCL-3	Arty PAR CC/500mA LED profile 2700K, White	450lm, Vf=12V, 500mA, CRI90, Lens N
3000K		ARTPAR30B-CCL-1	Arty PAR CC/500mA LED profile 3000K, Grey	480lm, Vf=12V, 500mA, CRI90, Lens N
		ARTPAR30B-CCL-2	Arty PAR CC/500mA LED profile 3000K, Black	480lm, Vf=12V, 500mA, CRI90, Lens N
		ARTPAR30B-CCL-3	Arty PAR CC/500mA LED profile 3000K, White	480lm, Vf=12V, 500mA, CRI90, Lens N
2700K		ARTPAR27B-CCS-1	Arty PAR CC/500mA Solo 2700K, Grey	450lm, Vf=12V, 500mA, CRI90, Lens N, 1m cable
		ARTPAR27B-CCS-2	Arty PAR CC/500mA Solo 2700K, Black	450lm, Vf=12V, 500mA, CRI90, Lens N, 1m cable
		ARTPAR27B-CCS-3	Arty PAR CC/500mA Solo 2700K, White	450lm, Vf=12V, 500mA, CRI90, Lens N, 1m cable
3000K		ARTPAR30B-CCS-1	Arty PAR CC/500mA Solo 3000K, Grey	480lm, Vf=12V, 500mA, CRI90, Lens N, 1m cable
		ARTPAR30B-CCS-2	Arty PAR CC/500mA Solo 3000K, Black	480lm, Vf=12V, 500mA, CRI90, Lens N, 1m cable
		ARTPAR30B-CCS-3	Arty PAR CC/500mA Solo 3000K, White	480lm, Vf=12V, 500mA, CRI90, Lens N, 1m cable