

gadget Classic

The timeless, classic, Gadget

Gadget is a very versatile luminaire with great light output.

Narrow beam angles makes it great for churches and other spaces with high ceiling heights.

Comes in three different beam angles.

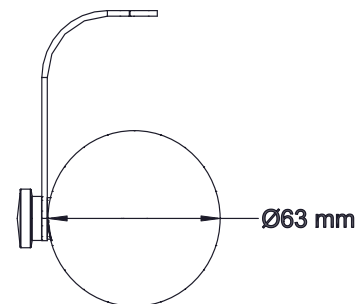
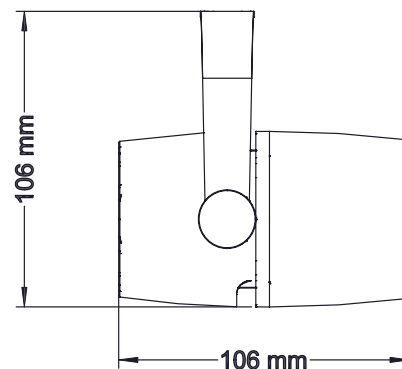


Description

Gadget Classic is available with mains dimmable multitrack-adapter or for single use.

TECHNICAL SPECIFICATION

Material	Lamp housing of machined aluminum Yoke and details of steel Adapter housing of PBT/PC 10 GF Lens of Acrylic
Finish	Grey (RAL 7040) Black (RAL 9005) White (RAL 9016) Custom coating is available upon request
System	3-phase circuit track (eg. Global Trac, Erco, Zumtobel, iGuzzini, Eutrac and Hoffmeister)
Dimming control	Track-mounted mains dimmable version
Protection class	IP20
Operating voltage	230V~ 50/60Hz
Power consumption	15W
CRI	90
Color temperature	2700K
Beam angle	12/20/30°
Swivels	>365°
Tilts	>90°
Features	Phase selector, lockable pan/tilt
Optional accessories	Filters and honeycomb



GADGET CLASSIC PD

Made for standard 3-phase circuit track. Leading and trailing-edge dimmable.

2700K	<input type="checkbox"/>	GADL27-AH-1	Gadget Classic PD 230V/15W 2700K, Grey	1240lm, CRI 90, lens N, 3-phase, dimmable
	<input type="checkbox"/>	GADL27-AH-2	Gadget Classic PD 230V/15W 2700K, Black	1240lm, CRI 90, lens N, 3-phase, dimmable
	<input type="checkbox"/>	GADL27-AH-3	Gadget Classic PD 230V/15W 2700K, White	1240lm, CRI 90, lens N, 3-phase, dimmable

GADGET CLASSIC CC

Solo version, without driver.

2700K	<input type="checkbox"/>	GADL27-CCS-1	Gadget Classic CC/350mA Solo 2700K, Grey	1240lm, Vf=36V, CRI 90, lens N, 1m cable
	<input type="checkbox"/>	GADL27-CCS-2	Gadget Classic CC/350mA Solo 2700K, Black	1240lm, Vf=36V, CRI 90, lens N, 1m cable
	<input type="checkbox"/>	GADL27-CCS-3	Gadget Classic CC/350mA Solo 2700K, White	1240lm, Vf=36V, CRI 90, lens N, 1m cable