

gizmo ZOOM



Gizmo Zoom is provided with a movable PC lense of high quality

Variable light beam 5–31°.



Gizmo Zoom Pico Trac



**Gizmo Zoom CC
LED profile**



**Gizmo Zoom CC
Solo**

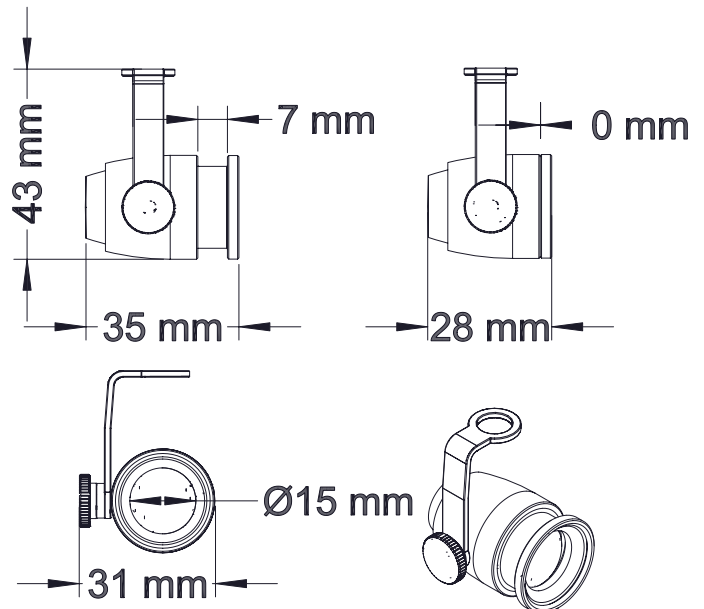
Description

Beam angle is changed easily by rotating the front.

Gizmo Zoom is really useful when you need to pin point or enhance smaller objects.

TECHNICAL SPECIFICATION

Material	Lamp housing of aluminium Yoke and details of steel Anti-reflective lens
Finish	Grey (RAL 7040) Black (RAL 9005) White (RAL 9016)
System	Pico Trac LED profile High/Low Surface mounting
Dimming control	Built-in dimmer or via external dimmer
Protection class	IP20
Power consumption	up to 3W
CRI	90
Color temperature	2200K/2700K/3000K/4000K
Beam angle	Adjustable 5–31°
Swivels	>365°
Tilts	>90°
Optional accessories	Magnet, ceiling cup





GIZMO ZOOM / PICO TRAC

Built in local dimmer

2200K		GIZZ22-PT-1	Gizmo Zoom 12V DC/3W Pico Trac 2200K, Grey	190lm, CRI 80, 5–31°, dimmer
		GIZZ22-PT-2	Gizmo Zoom 12V DC/3W Pico Trac 2200K, Black	190lm, CRI 80, 5–31°, dimmer
		GIZZ22-PT-3	Gizmo Zoom 12V DC/3W Pico Trac 2200K, White	190lm, CRI 80, 5–31°, dimmer
2700K		GIZZ27-PT-1	Gizmo Zoom 12V DC/3W Pico Trac 2700K, Grey	180lm, CRI 90, 5–31°, dimmer
		GIZZ27-PT-2	Gizmo Zoom 12V DC/3W Pico Trac 2700K, Black	180lm, CRI 90, 5–31°, dimmer
		GIZZ27-PT-3	Gizmo Zoom 12V DC/3W Pico Trac 2700K, White	180lm, CRI 90, 5–31°, dimmer
3000K		GIZZ30-PT-1	Gizmo Zoom 12V DC/3W Pico Trac 3000K, Grey	190lm, CRI 90, 5–31°, dimmer
		GIZZ30-PT-2	Gizmo Zoom 12V DC/3W Pico Trac 3000K, Black	190lm, CRI 90, 5–31°, dimmer
		GIZZ30-PT-3	Gizmo Zoom 12V DC/3W Pico Trac 3000K, White	190lm, CRI 90, 5–31°, dimmer
4000K		GIZZ40-PT-1	Gizmo Zoom 12V DC/3W Pico Trac 4000K, Grey	200lm, CRI 90, 5–31°, dimmer
		GIZZ40-PT-2	Gizmo Zoom 12V DC/3W Pico Trac 4000K, Black	200lm, CRI 90, 5–31°, dimmer
		GIZZ40-PT-3	Gizmo Zoom 12V DC/3W Pico Trac 4000K, White	200lm, CRI 90, 5–31°, dimmer

GIZMO ZOOM CC 200LM LED PROFILE

Installation on LED profile High or Low. Max 700mA.

2200K		GIZZ22-CCL-1	Gizmo Zoom CC/700mA LED profile 2200K, Grey	190lm, CRI 80, 5–31°
		GIZZ22-CCL-2	Gizmo Zoom CC/700mA LED profile 2200K, Black	190lm, CRI 80, 5–31°
		GIZZ22-CCL-3	Gizmo Zoom CC/700mA LED profile 2200K, White	190lm, CRI 80, 5–31°
2700K		GIZZ27-CCL-1	Gizmo Zoom CC/700mA LED profile 2700K, Grey	180lm, CRI 90, 5–31°
		GIZZ27-CCL-2	Gizmo Zoom CC/700mA LED profile 2700K, Black	180lm, CRI 90, 5–31°
		GIZZ27-CCL-3	Gizmo Zoom CC/700mA LED profile 2700K, White	180lm, CRI 90, 5–31°
3000K		GIZZ30-CCL-1	Gizmo Zoom CC/700mA LED profile 3000K, Grey	190lm, CRI 90, 5–31°
		GIZZ30-CCL-2	Gizmo Zoom CC/700mA LED profile 3000K, Black	190lm, CRI 90, 5–31°
		GIZZ30-CCL-3	Gizmo Zoom CC/700mA LED profile 3000K, White	190lm, CRI 90, 5–31°
4000K		GIZZ40-CCL-1	Gizmo Zoom CC/700mA LED profile 4000K, Grey	200lm, CRI 90, 5–31°
		GIZZ40-CCL-2	Gizmo Zoom CC/700mA LED profile 4000K, Black	200lm, CRI 90, 5–31°
		GIZZ40-CCL-3	Gizmo Zoom CC/700mA LED profile 4000K, White	200lm, CRI 90, 5–31°

GIZMO ZOOM CC 200LM SOLO

For surface mounting. Max 700mA.

2200K		GIZZ22-CCS-1	Gizmo Zoom CC/700mA Solo 2200K, Grey	190lm, CRI 80, 5–31°, 1m cable
		GIZZ22-CCS-2	Gizmo Zoom CC/700mA Solo 2200K, Black	190lm, CRI 80, 5–31°, 1m cable
		GIZZ22-CCS-3	Gizmo Zoom CC/700mA Solo 2200K, White	190lm, CRI 80, 5–31°, 1m cable
2700K		GIZZ27-CCS-1	Gizmo Zoom CC/700mA Solo 2700K, Grey	180lm, CRI 90, 5–31°, 1m cable
		GIZZ27-CCS-2	Gizmo Zoom CC/700mA Solo 2700K, Black	180lm, CRI 90, 5–31°, 1m cable
		GIZZ27-CCS-3	Gizmo Zoom CC/700mA Solo 2700K, White	180lm, CRI 90, 5–31°, 1m cable
3000K		GIZZ30-CCS-1	Gizmo Zoom CC/700mA Solo 3000K, Grey	190lm, CRI 90, 5–31°, 1m cable
		GIZZ30-CCS-2	Gizmo Zoom CC/700mA Solo 3000K, Black	190lm, CRI 90, 5–31°, 1m cable
		GIZZ30-CCS-3	Gizmo Zoom CC/700mA Solo 3000K, White	190lm, CRI 90, 5–31°, 1m cable
4000K		GIZZ40-CCS-1	Gizmo Zoom CC/700mA Solo 4000K, Grey	200lm, CRI 90, 5–31°, 1m cable
		GIZZ40-CCS-2	Gizmo Zoom CC/700mA Solo 4000K, Black	200lm, CRI 90, 5–31°, 1m cable
		GIZZ40-CCS-3	Gizmo Zoom CC/700mA Solo 4000K, White	200lm, CRI 90, 5–31°, 1m cable