

# neo Fresnel

## A powerful zoom lens spotlight

Adjustable zoom-lens and barndoors allows you to have good control of the light.

Fits all known 3-phase circuit tracks.

Smooth straight line dimming curve from 0-100%.

### Description

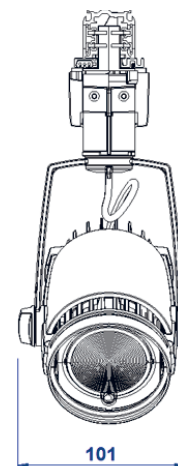
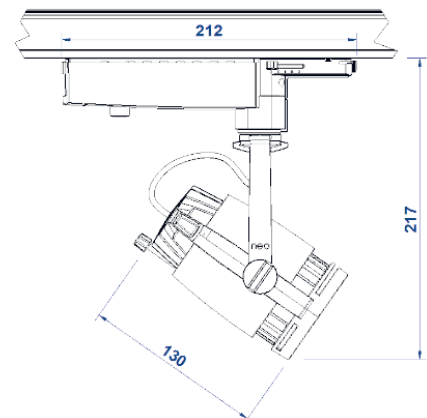
Neo Fresnel is developed for use in museums and art galleries. Every fixture can individually handle all changable variables of the light. Beam angle is adjustable 16–64° with the focus knob on the back of the luminaire. A potentiometer on the adapter allows for easy adjustment of brightness.

In addition to the Analog and DMX series of Neo, a DALI and Casambi version is now available.



## TECHNICAL SPECIFICATION

Material	Lamp housing of die-cast magnesium Adapter housing of PBT/PC 10 GF Aspheric fresnel lens of polycarbonate
Finish	Grey (RAL 9006) Black (RAL 9005) White (RAL 9016)
System	3-phase circuit track (eg. Global Trac, Erco, Zumtobel, iGuzzini, Eutrac and Hoffmeister)
Dimming control	Integrated manual dimmer 0-100% DMX via Lumenradio DMX DALI-version (only for Global Trac PULSE track system or equivalent) Casambi (Bluetooth)  Not compatible with mains dimmer
Protection class	IP20
Operating voltage	230V~ 50/60Hz
Power consumption	27W
CRI	95 (Typical 98 CRI)
Color temperature	2700K/3000K/4000K
Beam angle	Adjustable 16–64°
Swivels	>365°
Tilts	>90°
Features	Filter holder, phase selector, lockable pan/tilt
Accessories	Barn doors, filter pack



## NEO FRESNEL ANALOG

Analog version with built in local dimmer (0-100%)

2700K	<input type="checkbox"/>	NEOF27C-AH-1	Neo Fresnel 230V/27W 2700K, Grey	2160lm, CRI 95, 16-64°, 3-phase, dimmer
	<input checked="" type="checkbox"/>	NEOF27C-AH-2	Neo Fresnel 230V/27W 2700K, Black	2160lm, CRI 95, 16-64°, 3-phase, dimmer
	<input type="checkbox"/>	NEOF27C-AH-3	Neo Fresnel 230V/27W 2700K, White	2160lm, CRI 95, 16-64°, 3-phase, dimmer
3000K	<input type="checkbox"/>	NEOF30C-AH-1	Neo Fresnel 230V/27W 3000K, Grey	2300lm, CRI 95, 16-64°, 3-phase, dimmer
	<input checked="" type="checkbox"/>	NEOF30C-AH-2	Neo Fresnel 230V/27W 3000K, Black	2300lm, CRI 95, 16-64°, 3-phase, dimmer
	<input type="checkbox"/>	NEOF30C-AH-3	Neo Fresnel 230V/27W 3000K, White	2300lm, CRI 95, 16-64°, 3-phase, dimmer
4000K	<input type="checkbox"/>	NEOF40C-AH-1	Neo Fresnel 230V/27W 4000K, Grey	2520lm, CRI 90, 16-64°, 3-phase, dimmer
	<input checked="" type="checkbox"/>	NEOF40C-AH-2	Neo Fresnel 230V/27W 4000K, Black	2520lm, CRI 90, 16-64°, 3-phase, dimmer
	<input type="checkbox"/>	NEOF40C-AH-3	Neo Fresnel 230V/27W 4000K, White	2520lm, CRI 90, 16-64°, 3-phase, dimmer

## NEO FRESNEL DMX

DMX (Dimming 0-100%) wireless via Lumenradio CRMX.



2700K	<input type="checkbox"/>	NEOF27C-AHX-1	Neo Fresnel 230V/27W DMX 2700K, Grey	2160lm, CRI 95, 16-64°, 3-phase, wireless DMX
	<input checked="" type="checkbox"/>	NEOF27C-AHX-2	Neo Fresnel 230V/27W DMX 2700K, Black	2160lm, CRI 95, 16-64°, 3-phase, wireless DMX
	<input type="checkbox"/>	NEOF27C-AHX-3	Neo Fresnel 230V/27W DMX 2700K, White	2160lm, CRI 95, 16-64°, 3-phase, wireless DMX
3000K	<input type="checkbox"/>	NEOF30C-AHX-1	Neo Fresnel 230V/27W DMX 3000K, Grey	2300lm, CRI 95, 16-64°, 3-phase, wireless DMX
	<input checked="" type="checkbox"/>	NEOF30C-AHX-2	Neo Fresnel 230V/27W DMX 3000K, Black	2300lm, CRI 95, 16-64°, 3-phase, wireless DMX
	<input type="checkbox"/>	NEOF30C-AHX-3	Neo Fresnel 230V/27W DMX 3000K, White	2300lm, CRI 95, 16-64°, 3-phase, wireless DMX
4000K	<input type="checkbox"/>	NEOF40C-AHX-1	Neo Fresnel 230V/27W DMX 4000K, Grey	2520lm, CRI 90, 16-64°, 3-phase, wireless DMX
	<input checked="" type="checkbox"/>	NEOF40C-AHX-2	Neo Fresnel 230V/27W DMX 4000K, Black	2520lm, CRI 90, 16-64°, 3-phase, wireless DMX
	<input type="checkbox"/>	NEOF40C-AHX-3	Neo Fresnel 230V/27W DMX 4000K, White	2520lm, CRI 90, 16-64°, 3-phase, wireless DMX

## NEO FRESNEL DALI

DALI (Dimming 1-100%). This luminaire is equipped with a DALI driver for PULSE track.



2700K	<input type="checkbox"/>	NEOF27C-AHD-1	Neo Fresnel 230V/27W DALI 2700K, Grey	2160lm, CRI 95, 16-64°, 3-phase, PULSE DALI
	<input checked="" type="checkbox"/>	NEOF27C-AHD-2	Neo Fresnel 230V/27W DALI 2700K, Black	2160lm, CRI 95, 16-64°, 3-phase, PULSE DALI
	<input type="checkbox"/>	NEOF27C-AHD-3	Neo Fresnel 230V/27W DALI 2700K, White	2160lm, CRI 95, 16-64°, 3-phase, PULSE DALI
3000K	<input type="checkbox"/>	NEOF30C-AHD-1	Neo Fresnel 230V/27W DALI 3000K, Grey	2300lm, CRI 95, 16-64°, 3-phase, PULSE DALI
	<input checked="" type="checkbox"/>	NEOF30C-AHD-2	Neo Fresnel 230V/27W DALI 3000K, Black	2300lm, CRI 95, 16-64°, 3-phase, PULSE DALI
	<input type="checkbox"/>	NEOF30C-AHD-3	Neo Fresnel 230V/27W DALI 3000K, White	2300lm, CRI 95, 16-64°, 3-phase, PULSE DALI
4000K	<input type="checkbox"/>	NEOF40C-AHD-1	Neo Fresnel 230V/27W DALI 4000K, Grey	2520lm, CRI 90, 16-64°, 3-phase, PULSE DALI
	<input checked="" type="checkbox"/>	NEOF40C-AHD-2	Neo Fresnel 230V/27W DALI 4000K, Black	2520lm, CRI 90, 16-64°, 3-phase, PULSE DALI
	<input type="checkbox"/>	NEOF40C-AHD-3	Neo Fresnel 230V/27W DALI 4000K, White	2520lm, CRI 90, 16-64°, 3-phase, PULSE DALI

## NEO FRESNEL CASAMBI

Fits standard 3-phase track.



2700K	<input type="checkbox"/>	NEOF27C-AHC-1	Neo Fresnel 230V/27W Casambi 2700K, Grey	2160lm, CRI 95, 16-64°, 3-phase, 3-phase
	<input checked="" type="checkbox"/>	NEOF27C-AHC-2	Neo Fresnel 230V/27W Casambi 2700K, Black	2160lm, CRI 95, 16-64°, 3-phase, 3-phase
	<input type="checkbox"/>	NEOF27C-AHC-3	Neo Fresnel 230V/27W Casambi 2700K, White	2160lm, CRI 95, 16-64°, 3-phase, 3-phase
3000K	<input type="checkbox"/>	NEOF30C-AHC-1	Neo Fresnel 230V/27W Casambi 3000K, Grey	2300lm, CRI 95, 16-64°, 3-phase, 3-phase
	<input checked="" type="checkbox"/>	NEOF30C-AHC-2	Neo Fresnel 230V/27W Casambi 3000K, Black	2300lm, CRI 95, 16-64°, 3-phase, 3-phase
	<input type="checkbox"/>	NEOF30C-AHC-3	Neo Fresnel 230V/27W Casambi 3000K, White	2300lm, CRI 95, 16-64°, 3-phase, 3-phase
4000K	<input type="checkbox"/>	NEOF40C-AHC-1	Neo Fresnel 230V/27W Casambi 4000K, Grey	2520lm, CRI 90, 16-64°, 3-phase, 3-phase
	<input checked="" type="checkbox"/>	NEOF40C-AHC-2	Neo Fresnel 230V/27W Casambi 4000K, Black	2520lm, CRI 90, 16-64°, 3-phase, 3-phase
	<input type="checkbox"/>	NEOF40C-AHC-3	Neo Fresnel 230V/27W Casambi 4000K, White	2520lm, CRI 90, 16-64°, 3-phase, 3-phase