

ARTY PAR

A compact spotlight that handles many lighting situations



Arty PAR is based on the reliable Dinkey platform but with generally higher power and light output. Very compact and robust lamp housing made of aluminium.

The benefits

- Available for all Ljusdesign lighting systems
- Small and stylish
- Changable lenses

Choose the variant that fits your needs.

	230V	Pico Trac	Mini Trac	LED Profile
Article	HV	PT	MT	CCL
Function	Integrated manual dimmer 0-100%	Integrated manual dimmer 0-100%	Integrated manual dimmer 0-100%	No local dimmer External dimming possible
Compatibility	3 phase track	12V DC	12V DC	500 mA

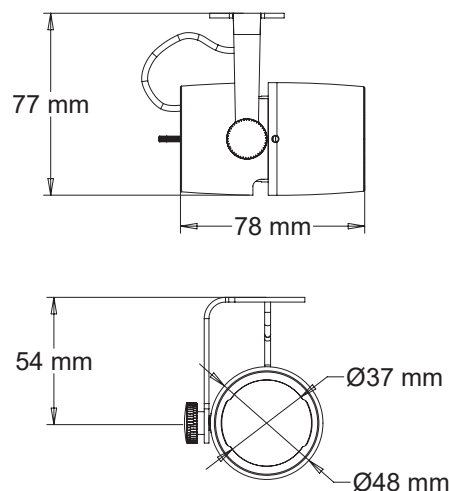
Arty PAR Specification

Material	Lamp housing made of aluminum Yoke and details made of steel Lens made of polycarbonate
Finish	Grey (RAL 7040) Black (RAL 9005) White (RAL 9016)
System	3-phase circuit track Pico Trac Mini Trac LED profile
Protection class	IP20
Operating	230V/12V DC/CC
Power consumption	6W/8W/10W
Beam angle	Interchangeable lenses
Color temperatures	2700K, 3000K, 4000K
Swivels	>365°
Tilts	>90°
Weight	280 g
Features	Filter holder, toolless pan and tilt lock
Optional accessories	Honey comb 40mm



Light Data

LED Lumen	520 lm
Luminaire Lumen	345 lm (Narrow lens)
CRI	90
Red component R9	>60
MacAdam	3-step ellipse (SDCM 3)
TM30-18 Rf	94
TM30-18 Rg	102



Beam Angles

Lens:	Narrow		Medium		Wide		Elliptical	
	14,4°		23,3°		26°		45,9 x 12,8°	
[m]	Ø	Lux	Ø	Lux	Ø	Lux	Ø	Lux
1	0,3	4035	0,4	1467	0,5	1069	0,5	1522
2	0,5	1009	0,8	367	0,9	267	1	381
3	0,8	448	1,2	163	1,4	119	1,6	169

Light data from 8W/10W 3000K

SPOTLIGHTS
ARTY PAR



ARTY PAR / 230V

Built-in local dimmer (0-100%)
Fits most known 3-phase tracks
Slim profile adapter

2700K	<input type="checkbox"/>	ARTPAR27C-HV-1	Arty PAR 230V/10W Multi 2700K, Grey	CRI 90, lens N, 3-phase, dimmer
	<input type="checkbox"/>	ARTPAR27C-HV-2	Arty PAR 230V/10W Multi 2700K, Black	CRI 90, lens N, 3-phase, dimmer
	<input type="checkbox"/>	ARTPAR27C-HV-3	Arty PAR 230V/10W Multi 2700K, White	CRI 90, lens N, 3-phase, dimmer
3000K	<input type="checkbox"/>	ARTPAR30C-HV-1	Arty PAR 230V/10W Multi 3000K, Grey	CRI 90, lens N, 3-phase, dimmer
	<input type="checkbox"/>	ARTPAR30C-HV-2	Arty PAR 230V/10W Multi 3000K, Black	CRI 90, lens N, 3-phase, dimmer
	<input type="checkbox"/>	ARTPAR30C-HV-3	Arty PAR 230V/10W Multi 3000K, White	CRI 90, lens N, 3-phase, dimmer
4000K	<input type="checkbox"/>	ARTPAR40C-HV-1	Arty PAR 230V/10W Multi 4000K, Grey	CRI 90, lens N, 3-phase, dimmer
	<input type="checkbox"/>	ARTPAR40C-HV-2	Arty PAR 230V/10W Multi 4000K, Black	CRI 90, lens N, 3-phase, dimmer
	<input type="checkbox"/>	ARTPAR40C-HV-3	Arty PAR 230V/10W Multi 4000K, White	CRI 90, lens N, 3-phase, dimmer



ARTY PAR / PICO TRAC

Built-in local dimmer (0-100%)
Fits Pico Trac

2700K	<input type="checkbox"/>	ARTPAR27C-PT-1	Arty PAR 12V DC/8W Pico Trac 2700K, Grey	CRI 90, lens N, dimmer
	<input type="checkbox"/>	ARTPAR27C-PT-2	Arty PAR 12V DC/8W Pico Trac 2700K, Black	CRI 90, lens N, dimmer
	<input type="checkbox"/>	ARTPAR27C-PT-3	Arty PAR 12V DC/8W Pico Trac 2700K, White	CRI 90, lens N, dimmer
3000K	<input type="checkbox"/>	ARTPAR30C-PT-1	Arty PAR 12V DC/8W Pico Trac 3000K, Grey	CRI 90, lens N, dimmer
	<input type="checkbox"/>	ARTPAR30C-PT-2	Arty PAR 12V DC/8W Pico Trac 3000K, Black	CRI 90, lens N, dimmer
	<input type="checkbox"/>	ARTPAR30C-PT-3	Arty PAR 12V DC/8W Pico Trac 3000K, White	CRI 90, lens N, dimmer
4000K	<input type="checkbox"/>	ARTPAR40C-PT-1	Arty PAR 12V DC/8W Pico Trac 4000K, Grey	CRI 90, lens N, dimmer
	<input type="checkbox"/>	ARTPAR40C-PT-2	Arty PAR 12V DC/8W Pico Trac 4000K, Black	CRI 90, lens N, dimmer
	<input type="checkbox"/>	ARTPAR40C-PT-3	Arty PAR 12V DC/8W Pico Trac 4000K, White	CRI 90, lens N, dimmer



ARTY PAR / MINI TRAC

Built-in local dimmer (0-100%)
Fits Mini Trac

2700K	<input type="checkbox"/>	ARTPAR27C-MT-1	Arty PAR 12V DC/8W Mini Trac 2700K, Grey	CRI 90, lens N, dimmer
	<input type="checkbox"/>	ARTPAR27C-MT-2	Arty PAR 12V DC/8W Mini Trac 2700K, Black	CRI 90, lens N, dimmer
	<input type="checkbox"/>	ARTPAR27C-MT-3	Arty PAR 12V DC/8W Mini Trac 2700K, White	CRI 90, lens N, dimmer
3000K	<input type="checkbox"/>	ARTPAR30C-MT-1	Arty PAR 12V DC/8W Mini Trac 3000K, Grey	CRI 90, lens N, dimmer
	<input type="checkbox"/>	ARTPAR30C-MT-2	Arty PAR 12V DC/8W Mini Trac 3000K, Black	CRI 90, lens N, dimmer
	<input type="checkbox"/>	ARTPAR30C-MT-3	Arty PAR 12V DC/8W Mini Trac 3000K, White	CRI 90, lens N, dimmer
4000K	<input type="checkbox"/>	ARTPAR40C-MT-1	Arty PAR 12V DC/8W Mini Trac 4000K, Grey	CRI 90, lens N, dimmer
	<input type="checkbox"/>	ARTPAR40C-MT-2	Arty PAR 12V DC/8W Mini Trac 4000K, Black	CRI 90, lens N, dimmer
	<input type="checkbox"/>	ARTPAR40C-MT-3	Arty PAR 12V DC/8W Mini Trac 4000K, White	CRI 90, lens N, dimmer



ARTY PAR / 12V DC SOLO

Built-in local dimmer (0-100%)

Operates with 12V DC

2700K	<input type="checkbox"/>	ARTPAR27C-LVS-1	Arty PAR 12V DC/8W Solo 2700K, Grey	CRI 90, lens N, dimmer, 1m cable
	<input type="checkbox"/>	ARTPAR27C-LVS-2	Arty PAR 12V DC/8W Solo 2700K, Black	CRI 90, lens N, dimmer, 1m cable
	<input type="checkbox"/>	ARTPAR27C-LVS-3	Arty PAR 12V DC/8W Solo 2700K, White	CRI 90, lens N, dimmer, 1m cable
3000K	<input type="checkbox"/>	ARTPAR30C-LVS-1	Arty PAR 12V DC/8W Solo 3000K, Grey	CRI 90, lens N, dimmer, 1m cable
	<input type="checkbox"/>	ARTPAR30C-LVS-2	Arty PAR 12V DC/8W Solo 3000K, Black	CRI 90, lens N, dimmer, 1m cable
	<input type="checkbox"/>	ARTPAR30C-LVS-3	Arty PAR 12V DC/8W Solo 3000K, White	CRI 90, lens N, dimmer, 1m cable
4000K	<input type="checkbox"/>	ARTPAR40C-LVS-1	Arty PAR 12V DC/8W Solo 4000K, Grey	CRI 90, lens N, dimmer, 1m cable
	<input type="checkbox"/>	ARTPAR40C-LVS-2	Arty PAR 12V DC/8W Solo 4000K, Black	CRI 90, lens N, dimmer, 1m cable
	<input type="checkbox"/>	ARTPAR40C-LVS-3	Arty PAR 12V DC/8W Solo 4000K, White	CRI 90, lens N, dimmer, 1m cable



ARTY PAR / CCL

For LED Profile

Operated by external LED driver, max 500 mA / 6W, Vf = 12V

2700K	<input type="checkbox"/>	ARTPAR27B-CCL-1	Arty PAR CC/500mA LED profile 2700K, Grey	Vf=12V, 500mA, CRI90, Lens N
	<input type="checkbox"/>	ARTPAR27B-CCL-2	Arty PAR CC/500mA LED profile 2700K, Black	Vf=12V, 500mA, CRI90, Lens N
	<input type="checkbox"/>	ARTPAR27B-CCL-3	Arty PAR CC/500mA LED profile 2700K, White	Vf=12V, 500mA, CRI90, Lens N
3000K	<input type="checkbox"/>	ARTPAR30B-CCL-1	Arty PAR CC/500mA LED profile 3000K, Grey	Vf=12V, 500mA, CRI90, Lens N
	<input type="checkbox"/>	ARTPAR30B-CCL-2	Arty PAR CC/500mA LED profile 3000K, Black	Vf=12V, 500mA, CRI90, Lens N
	<input type="checkbox"/>	ARTPAR30B-CCL-3	Arty PAR CC/500mA LED profile 3000K, White	Vf=12V, 500mA, CRI90, Lens N



ARTY PAR / CCS

No driver / adapter included

Operated by external LED driver, max 500 mA / 6W, Vf = 12V

2700K	<input type="checkbox"/>	ARTPAR27B-CCS-1	Arty PAR CC/500mA Solo 2700K, Grey	Vf=12V, 500mA, CRI90, Lens N, 1m cable
	<input type="checkbox"/>	ARTPAR27B-CCS-2	Arty PAR CC/500mA Solo 2700K, Black	Vf=12V, 500mA, CRI90, Lens N, 1m cable
	<input type="checkbox"/>	ARTPAR27B-CCS-3	Arty PAR CC/500mA Solo 2700K, White	Vf=12V, 500mA, CRI90, Lens N, 1m cable
3000K	<input type="checkbox"/>	ARTPAR30B-CCS-1	Arty PAR CC/500mA Solo 3000K, Grey	Vf=12V, 500mA, CRI90, Lens N, 1m cable
	<input type="checkbox"/>	ARTPAR30B-CCS-2	Arty PAR CC/500mA Solo 3000K, Black	Vf=12V, 500mA, CRI90, Lens N, 1m cable
	<input type="checkbox"/>	ARTPAR30B-CCS-3	Arty PAR CC/500mA Solo 3000K, White	Vf=12V, 500mA, CRI90, Lens N, 1m cable